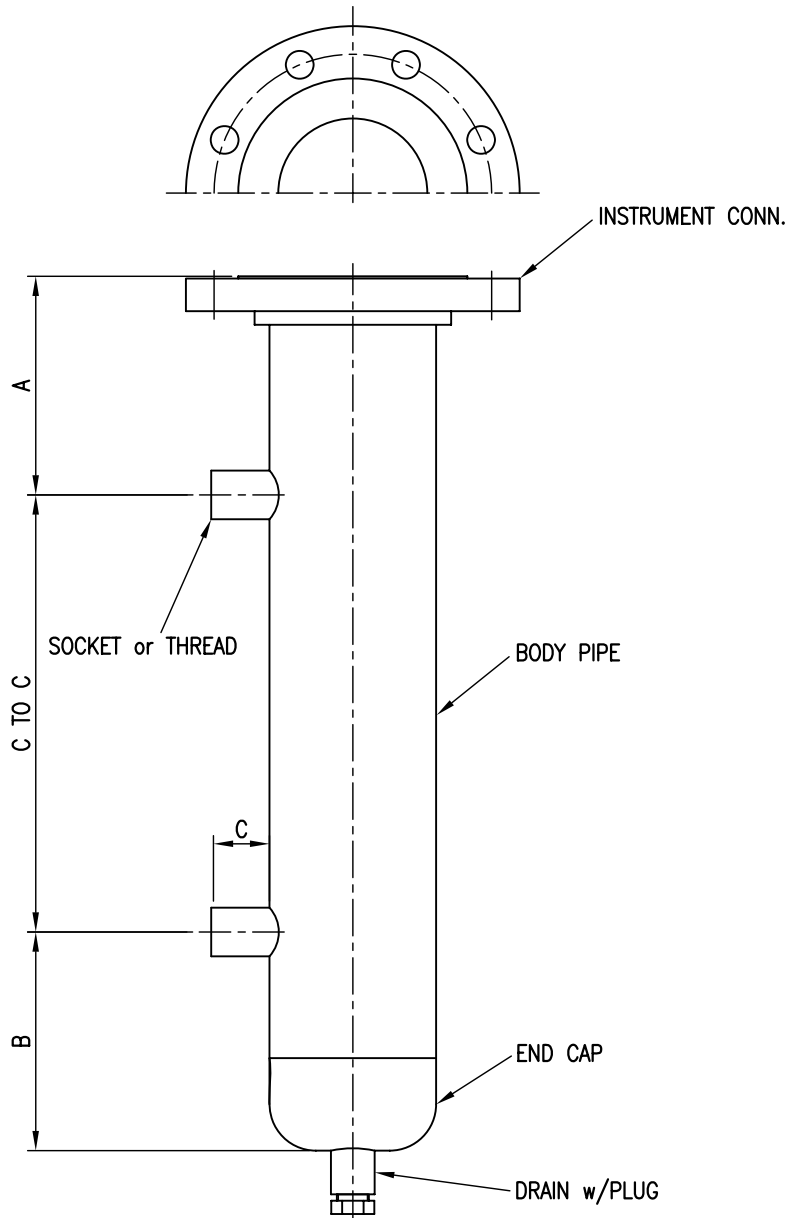


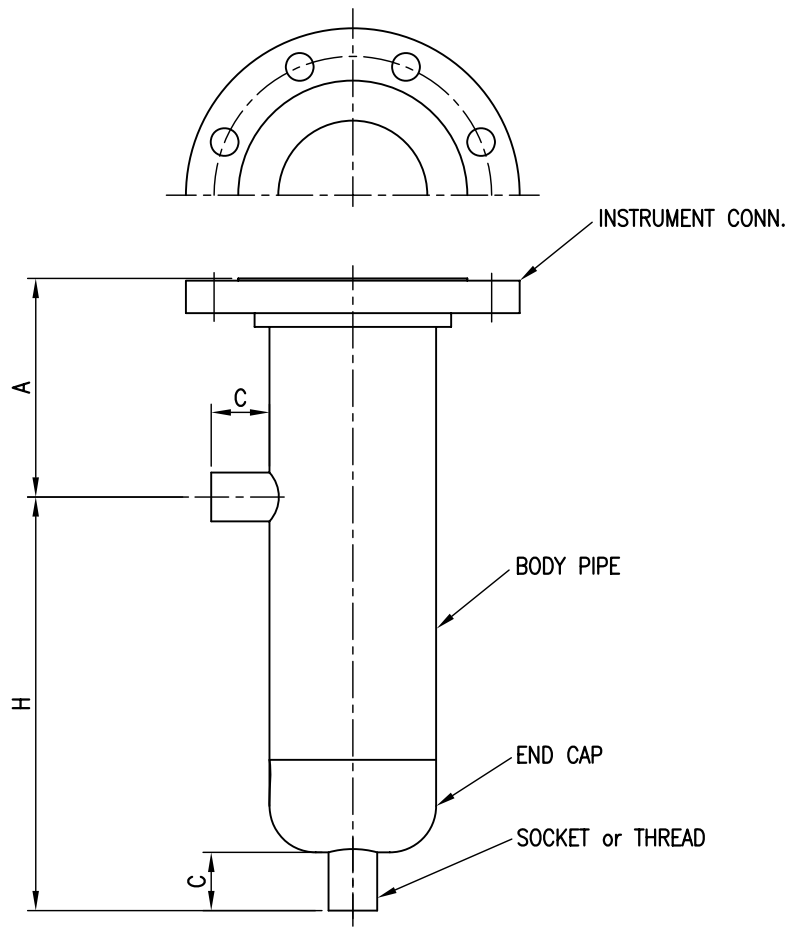
- Chamber Size : 4"
- Rating : ASME Class 150
- Conn. Type : Socket or Thread
- Process Conn. Orientation : Side and Side



**NOTE**  
 1. GENERAL TOLERANCE  $\pm 3\text{mm}$  EXCEPT AS NOTED.  
 2. FLANGE SHALL BE IN ACCORDANCE WITH ASME B16.5

	. .					<b>HITROL CO., LTD.</b> TITLE <b>EXTERNAL CHAMBER</b> <b>HC-4150-S</b>	SCALE	UNIT	SHEET NO.
	. .						N.S	mm	/
	. .						PROJECT		
	. .						DRAWING NO.		
	2013.09.11						HC4150S-GA-001		
NO.	DATE	REVISION	REV'D BY	CHK'D BY	APP'D BY				

- Chamber Size : 4"
- Rating : ASME Class 150
- Conn. Type : Socket or Thread
- Process Conn. Orientation : Side and Bottom

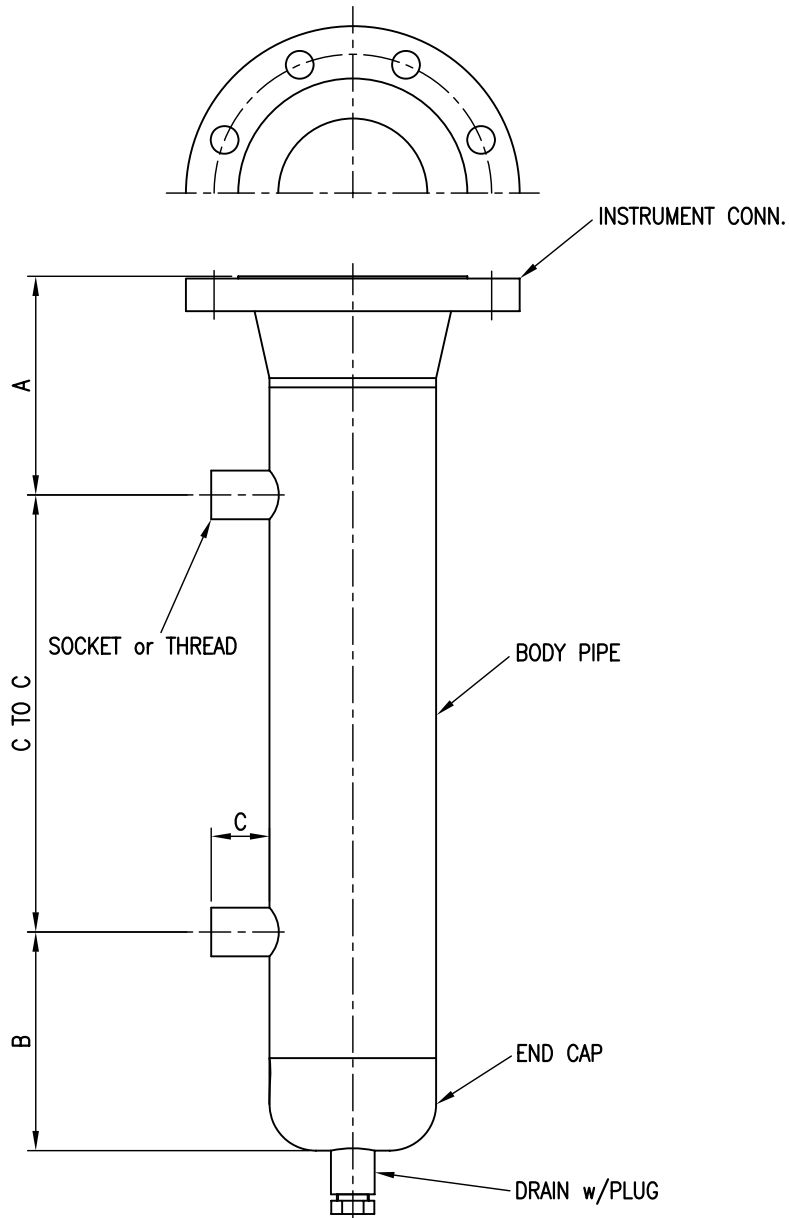


**NOTE**

1. GENERAL TOLERANCE  $\pm 3\text{mm}$  EXCEPT AS NOTED.
2. FLANGE SHALL BE IN ACCORDANCE WITH ASME B16.5

	.	.				<b>HITROL CO., LTD.</b>	SCALE	UNIT	SHEET NO.	
	.	.					N.S	mm	/	
	.	.					TITLE	PROJECT		
	.	.					<b>EXTERNAL CHAMBER</b>	DRAWING NO.		
	2013.09.11						<b>HC-4150-S</b>	HC4150S-GA-002		
<b>NO.</b>	<b>DATE</b>	<b>REVISION</b>	<b>REV'D BY</b>	<b>CHK'D BY</b>	<b>APP'D BY</b>					

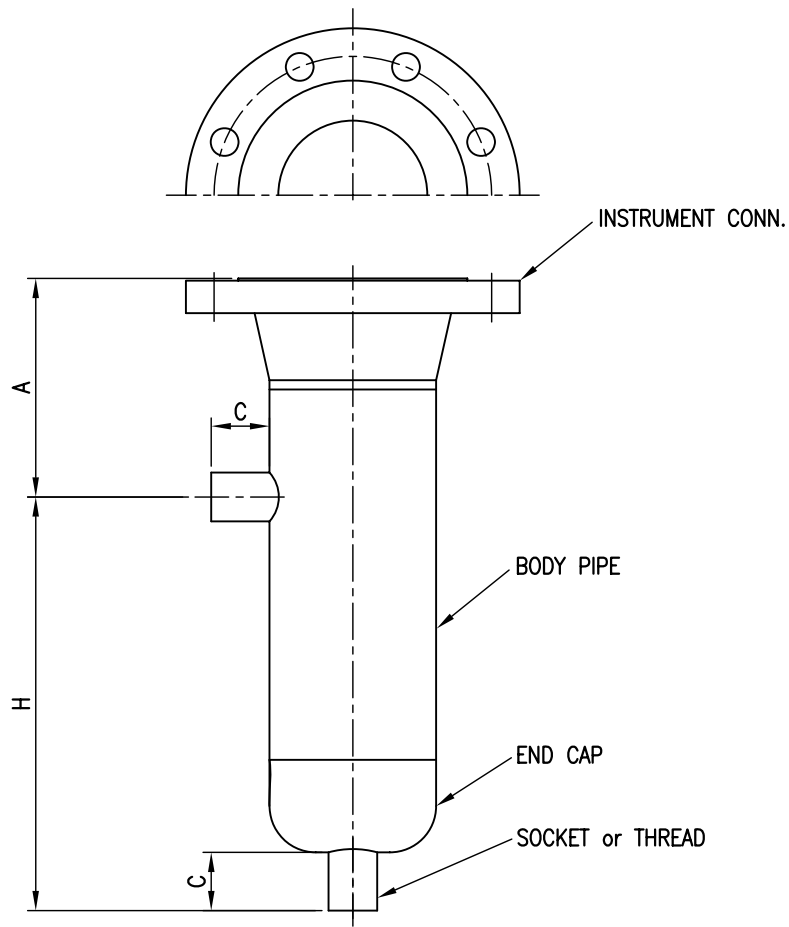
- Chamber Size : 4"
- Rating : ASME Class 150
- Conn. Type : Socket or Thread
- Process Conn. Orientation : Side and Side



**NOTE**  
 1. GENERAL TOLERANCE  $\pm 3\text{mm}$  EXCEPT AS NOTED.  
 2. FLANGE SHALL BE IN ACCORDANCE WITH ASME B16.5

	. .					<b>HITROL CO., LTD.</b> TITLE <b>EXTERNAL CHAMBER</b> <b>HC-4150-S</b>	SCALE	UNIT	SHEET NO.
	. .						N.S	mm	/
	. .						PROJECT		
	. .						DRAWING NO.		
	2013.09.11						HC4150S-GA-003		
NO.	DATE	REVISION	REV'D BY	CHK'D BY	APP'D BY				

- Chamber Size : 4"
- Rating : ASME Class 150
- Conn. Type : Socket or Thread
- Process Conn. Orientation : Side and Bottom



**NOTE**  
 1. GENERAL TOLERANCE  $\pm 3\text{mm}$  EXCEPT AS NOTED.  
 2. FLANGE SHALL BE IN ACCORDANCE WITH ASME B16.5

	. .					<b>HITROL CO., LTD.</b>	SCALE	UNIT	SHEET NO.	
	. .						N.S	mm	/	
	. .						TITLE	PROJECT		
	. .						<b>EXTERNAL CHAMBER</b>	DRAWING NO.		
	<b>2013.09.11</b>						<b>HC-4150-S</b>	<b>HC4150S-GA-004</b>		
<b>NO.</b>	<b>DATE</b>	<b>REVISION</b>	<b>REV'D BY</b>	<b>CHK'D BY</b>	<b>APP'D BY</b>					