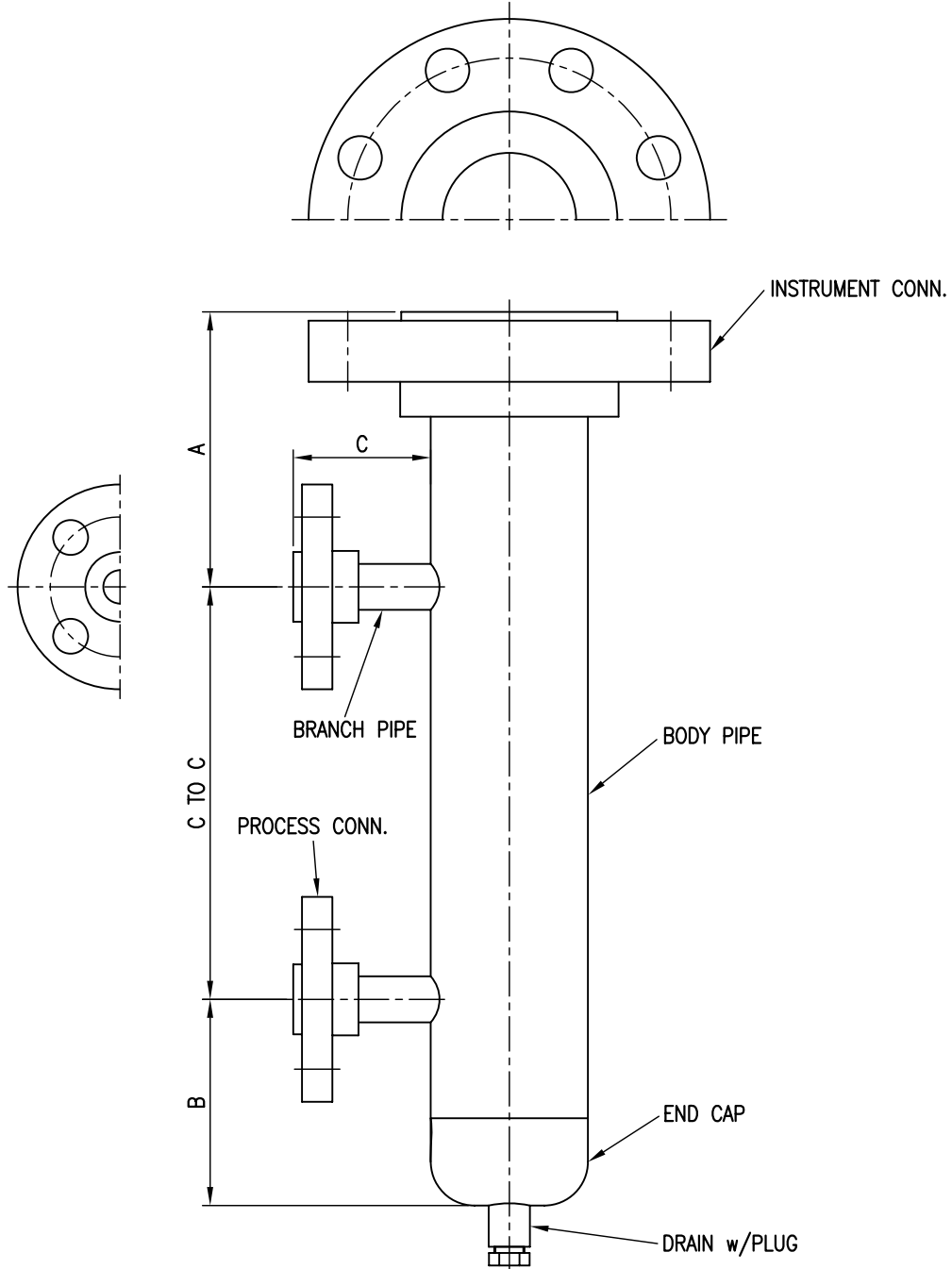


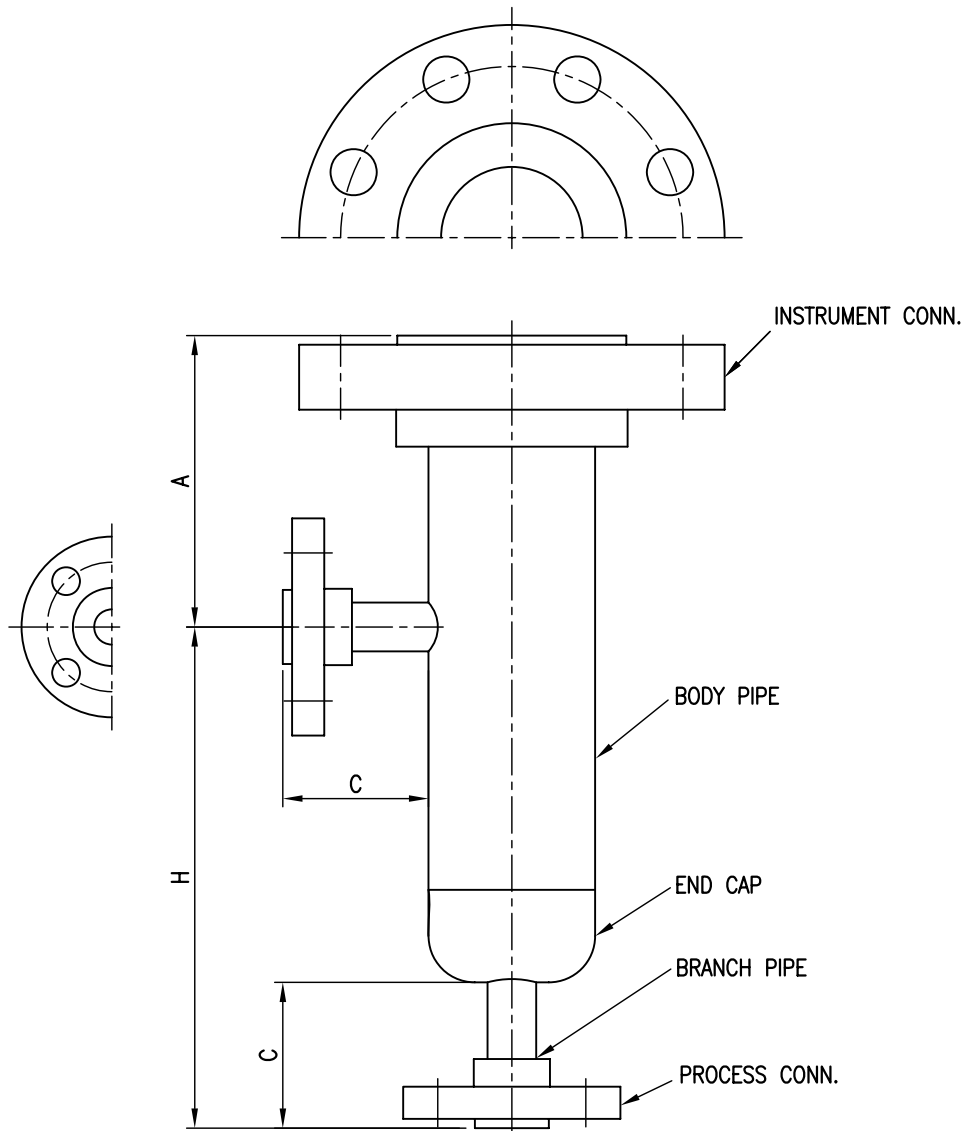
- Chamber Size : 4"
- Rating : ASME Class 900
- Conn. Type : RFSO Flange
- Process Conn. Orientation : Side and Side



NOTE
 1. GENERAL TOLERANCE $\pm 3\text{mm}$ EXCEPT AS NOTED.
 2. FLANGE SHALL BE IN ACCORDANCE WITH ASME B16.5

△	.	.				HITROL CO., LTD. TITLE EXTERNAL CHAMBER HC-4900-F	SCALE	UNIT	SHEET NO.
△	.	.					N.S	mm	/
△	.	.					PROJECT		
△	.	.					DRAWING NO.		
△	2013.09.11						HC4900F-GA-001		
NO.	DATE	REVISION	REV'D BY	CHK'D BY	APP'D BY				

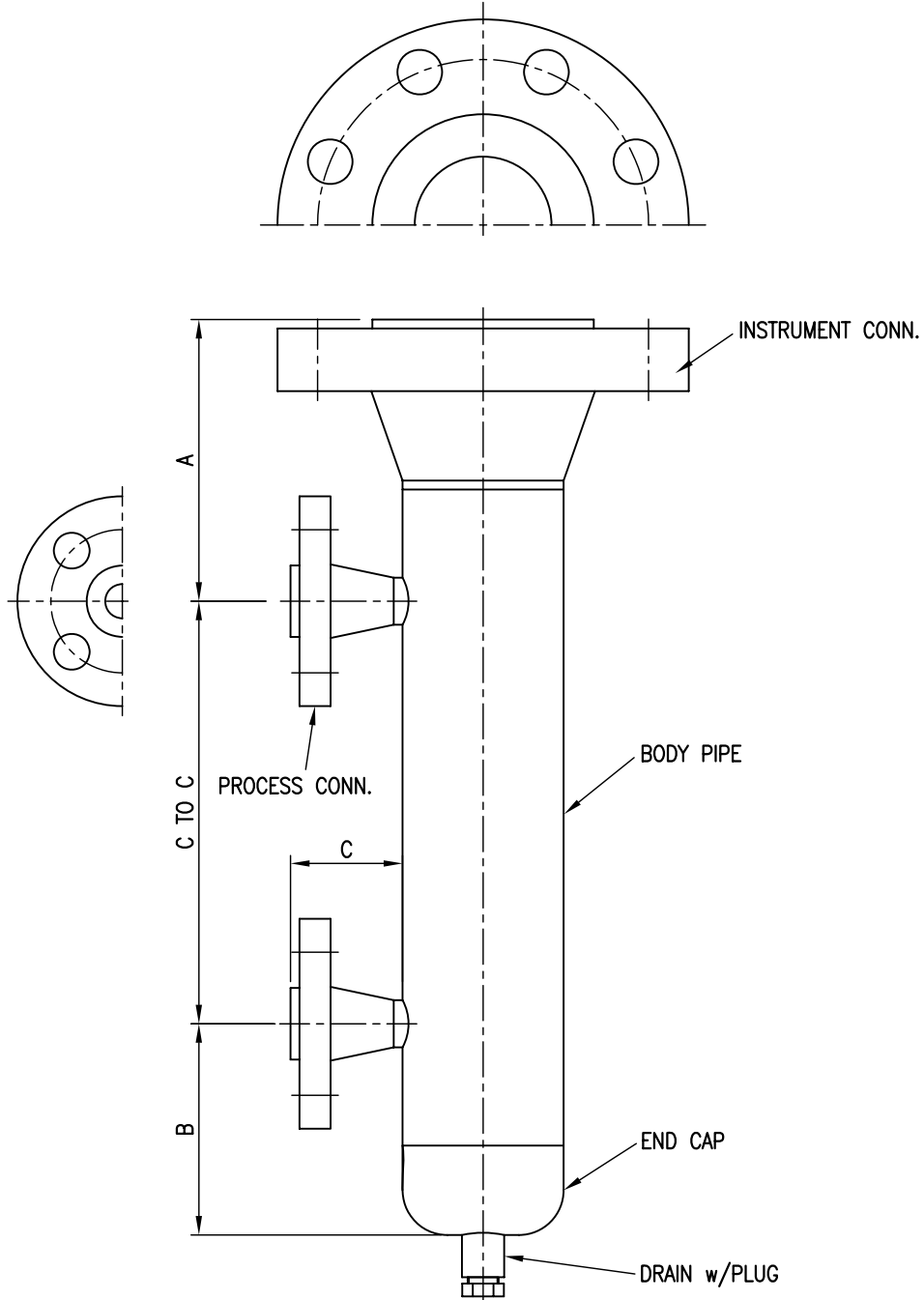
- Chamber Size : 4"
- Rating : ASME Class 900
- Conn. Type : RFSO Flange
- Process Conn. Orientation : Side and Bottom



NOTE
 1. GENERAL TOLERANCE $\pm 3\text{mm}$ EXCEPT AS NOTED.
 2. FLANGE SHALL BE IN ACCORDANCE WITH ASME B16.5

△	.	.				HITROL CO., LTD. TITLE EXTERNAL CHAMBER HC-4900-F	SCALE	UNIT	SHEET NO.
△	.	.					N.S	mm	/
△	.	.					PROJECT		
△	.	.					DRAWING NO.		
△	2013.09.11						HC4900F-GA-002		
NO.	DATE	REVISION	REV'D BY	CHK'D BY	APP'D BY				

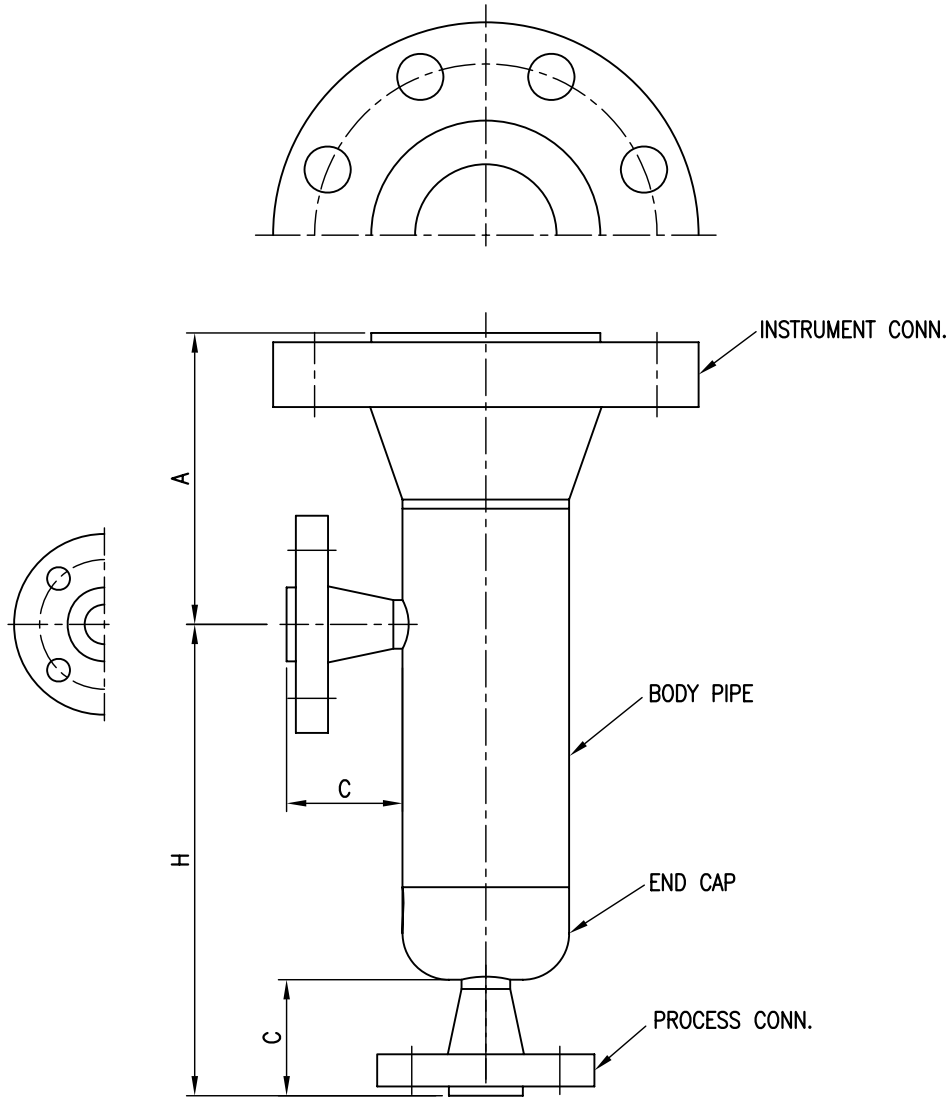
- Chamber Size : 4"
- Rating : ASME Class 900
- Conn. Type : RFWN Flange
- Process Conn. Orientation : Side and Side



NOTE
 1. GENERAL TOLERANCE $\pm 3\text{mm}$ EXCEPT AS NOTED.
 2. FLANGE SHALL BE IN ACCORDANCE WITH ASME B16.5

△	.	.				HITROL CO., LTD. TITLE EXTERNAL CHAMBER HC-4900-F	SCALE	UNIT	SHEET NO.
△	.	.					N.S	mm	/
△	.	.					PROJECT		
△	.	.					DRAWING NO.		
△	2013.09.11						HC4900F-GA-003		
NO.	DATE	REVISION	REV'D BY	CHK'D BY	APP'D BY				

- Chamber Size : 4"
- Rating : ASME Class 900
- Conn. Type : RFWN Flange
- Process Conn. Orientation : Side and Bottom



NOTE
 1. GENERAL TOLERANCE $\pm 3\text{mm}$ EXCEPT AS NOTED.
 2. FLANGE SHALL BE IN ACCORDANCE WITH ASME B16.5

<table border="1"> <tr><td>△</td><td>.</td><td>.</td><td></td><td></td><td></td></tr> <tr><td>△</td><td>.</td><td>.</td><td></td><td></td><td></td></tr> <tr><td>△</td><td>.</td><td>.</td><td></td><td></td><td></td></tr> <tr><td>△</td><td>.</td><td>.</td><td></td><td></td><td></td></tr> <tr><td>△</td><td>2013.09.11</td><td></td><td></td><td></td><td></td></tr> </table>	△	.	.				△	.	.				△	.	.				△	.	.				△	2013.09.11					HITROL CO., LTD.					SCALE N.S	UNIT mm	SHEET NO. /
	△	.	.																																			
	△	.	.																																			
	△	.	.																																			
	△	.	.																																			
△	2013.09.11																																					
TITLE					PROJECT																																	
EXTERNAL CHAMBER					DRAWING NO. HC4900F-GA-004																																	
HC-4900-F																																						
NO.	DATE	REVISION	REV'D BY	CHK'D BY	APP'D BY																																	