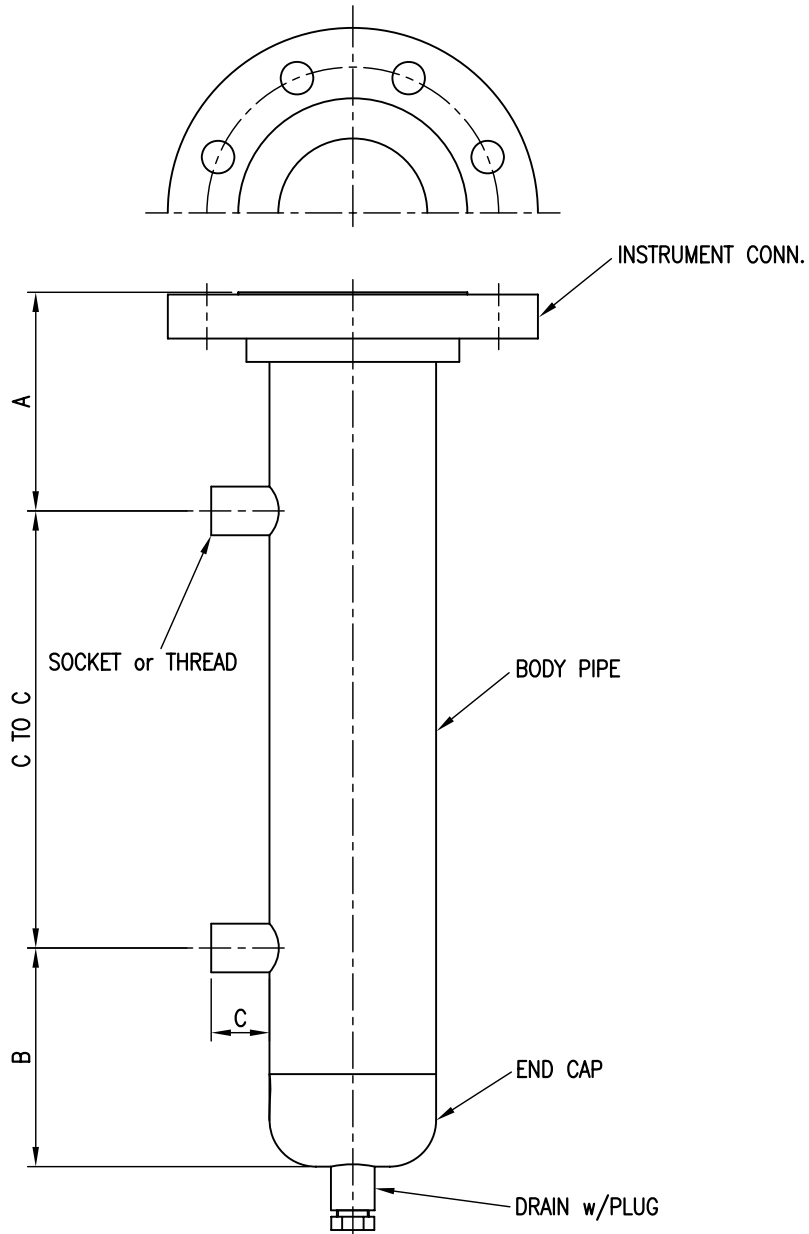



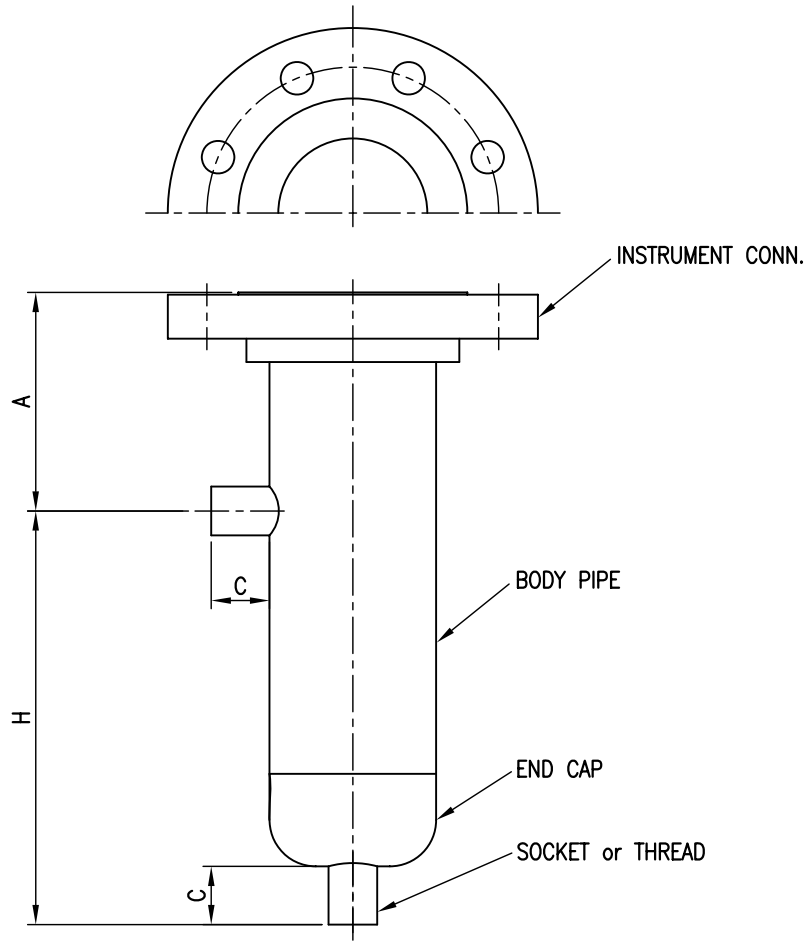
- Chamber Size : 4"
- Rating : ASME Class 300
- Conn. Type : Socket or Thread
- Process Conn. Orientation : Side and Side



NOTE
 1. GENERAL TOLERANCE $\pm 3\text{mm}$ EXCEPT AS NOTED.
 2. FLANGE SHALL BE IN ACCORDANCE WITH ASME B16.5

△	.	.				 HITROL CO., LTD. TITLE EXTERNAL CHAMBER HC-4300-S	SCALE N.S	UNIT mm	SHEET NO. /
△	.	.					PROJECT		
△	.	.					DRAWING NO. HC4300S-GA-001		
△	.	.							
△	2013.09.11								
NO.	DATE	REVISION	REV'D BY	CHK'D BY	APP'D BY				

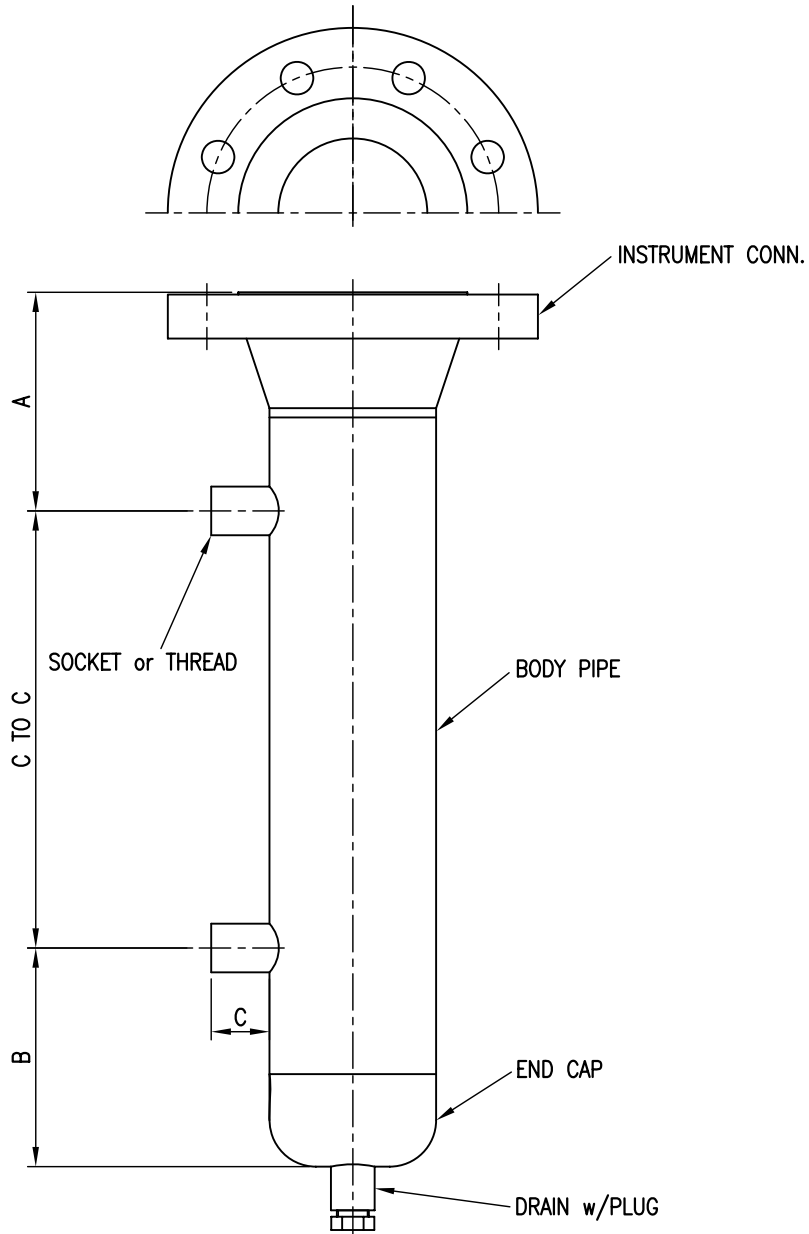
- Chamber Size : 4"
- Rating : ASME Class 300
- Conn. Type : Socket or Thread
- Process Conn. Orientation : Side and Bottom




NOTE
 1. GENERAL TOLERANCE $\pm 3\text{mm}$ EXCEPT AS NOTED.
 2. FLANGE SHALL BE IN ACCORDANCE WITH ASME B16.5

△	.	.				HITROL CO., LTD. TITLE EXTERNAL CHAMBER HC-4300-S	SCALE	UNIT	SHEET NO.
△	.	.					N.S	mm	/
△	.	.					PROJECT		
△	.	.					DRAWING NO.		
△	2013.09.11						HC4300S-GA-002		
NO.	DATE	REVISION	REV'D BY	CHK'D BY	APP'D BY				

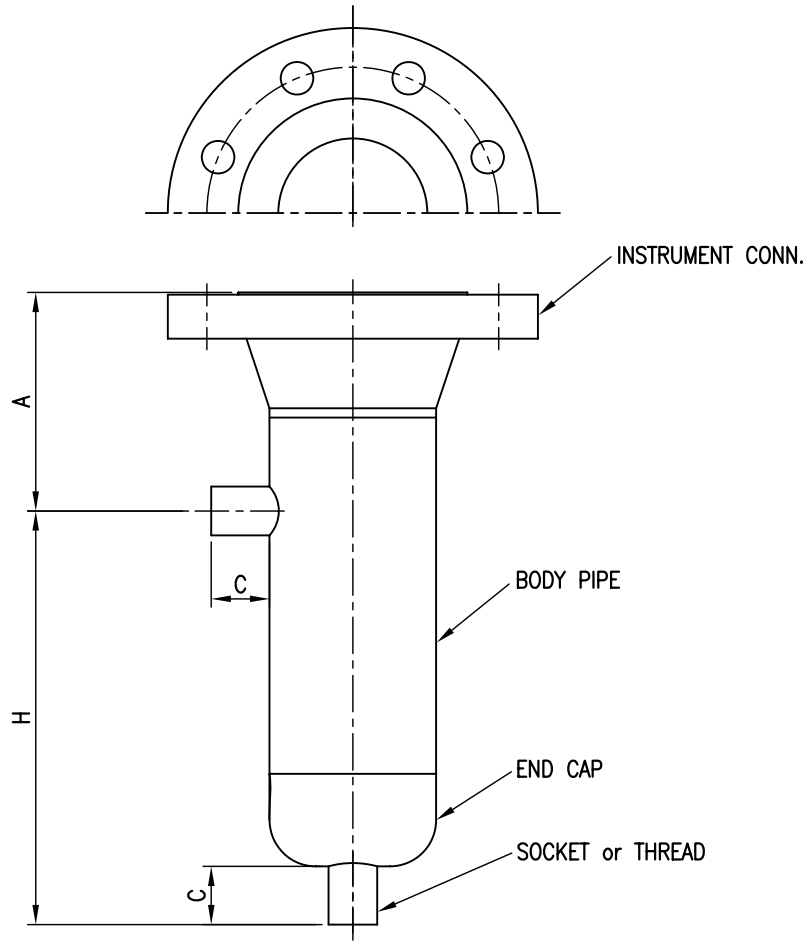
- Chamber Size : 4"
- Rating : ASME Class 300
- Conn. Type : Socket or Thread
- Process Conn. Orientation : Side and Side



NOTE
 1. GENERAL TOLERANCE $\pm 3\text{mm}$ EXCEPT AS NOTED.
 2. FLANGE SHALL BE IN ACCORDANCE WITH ASME B16.5

<table border="1"> <tr><td>△</td><td>.</td><td>.</td><td></td><td></td><td></td><td></td></tr> <tr><td>△</td><td>.</td><td>.</td><td></td><td></td><td></td><td></td></tr> <tr><td>△</td><td>.</td><td>.</td><td></td><td></td><td></td><td></td></tr> <tr><td>△</td><td>.</td><td>.</td><td></td><td></td><td></td><td></td></tr> <tr><td>△</td><td>2013.09.11</td><td></td><td></td><td></td><td></td><td></td></tr> </table>	△	.	.					△	.	.					△	.	.					△	.	.					△	2013.09.11						 HITROL CO., LTD.						SCALE N.S	UNIT mm	SHEET NO. /
	△	.	.																																									
	△	.	.																																									
	△	.	.																																									
	△	.	.																																									
△	2013.09.11																																											
TITLE							PROJECT																																					
EXTERNAL CHAMBER HC-4300-S																																												
NO.	DATE	REVISION	REV'D BY	CHK'D BY	APP'D BY		DRAWING NO. HC4300S-GA-003																																					

- Chamber Size : 4"
- Rating : ASME Class 300
- Conn. Type : Socket or Thread
- Process Conn. Orientation : Side and Bottom



NOTE
 1. GENERAL TOLERANCE $\pm 3\text{mm}$ EXCEPT AS NOTED.
 2. FLANGE SHALL BE IN ACCORDANCE WITH ASME B16.5

	. .					HITROL CO., LTD.	SCALE	UNIT	SHEET NO.	
	. .						N.S	mm	/	
	. .						TITLE	PROJECT		
	. .						EXTERNAL CHAMBER	DRAWING NO.		
	2013.09.11						HC-4300-S	HC4300S-GA-004		
NO.	DATE	REVISION	REV'D BY	CHK'D BY	APP'D BY					