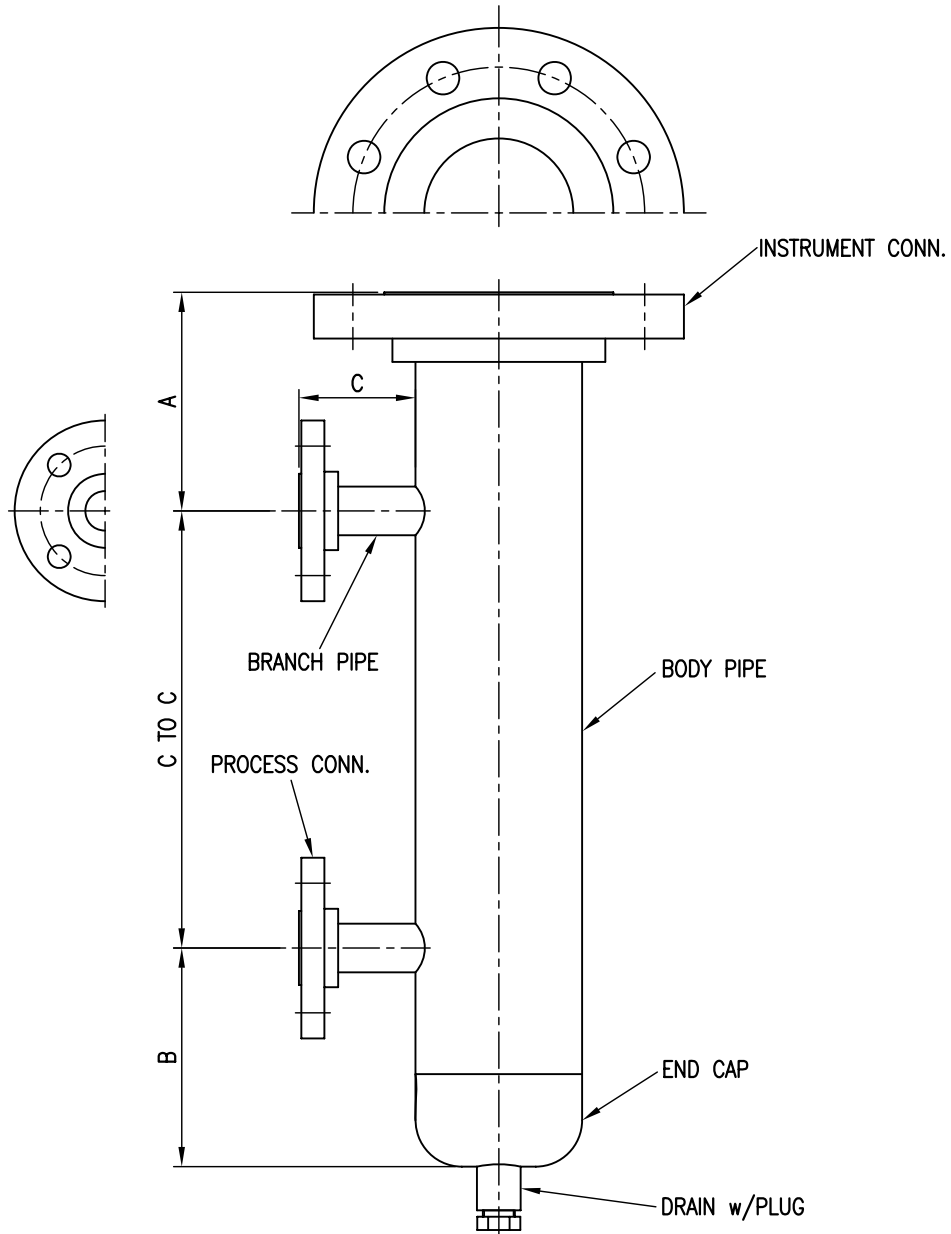


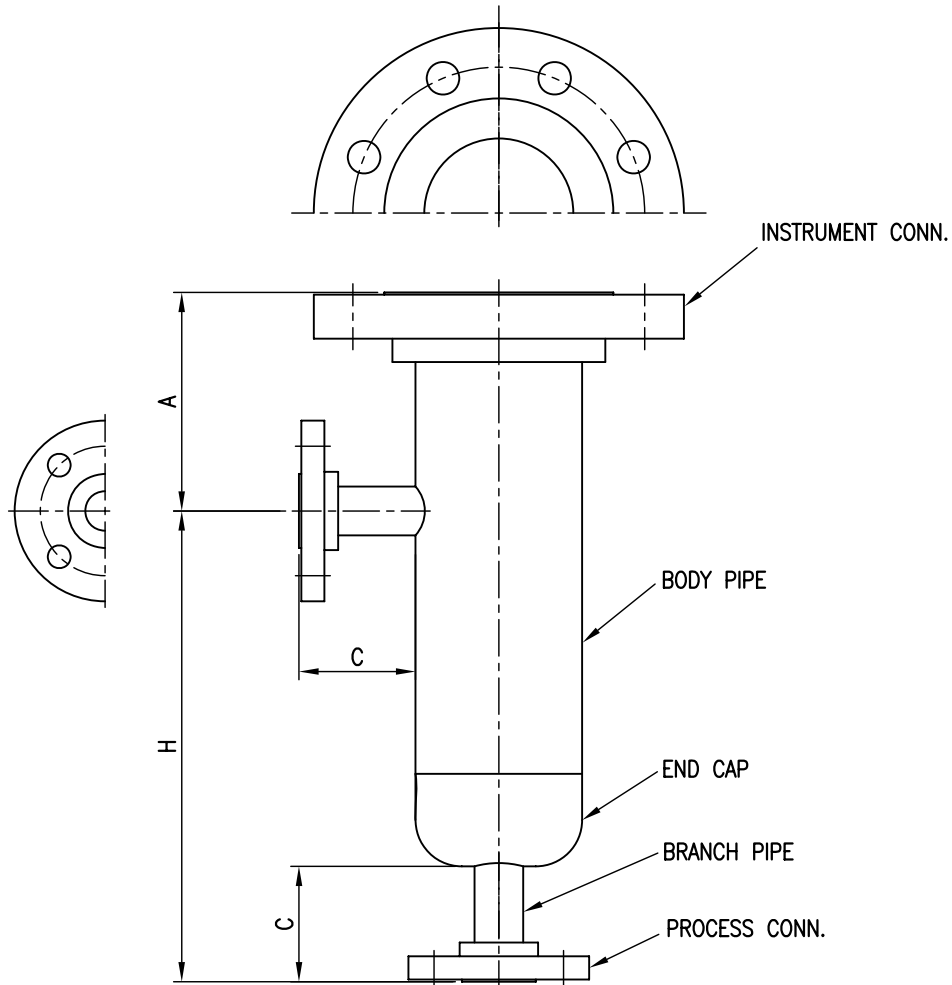
- Chamber Size : 4"
- Rating : ASME Class 300
- Conn. Type : RFSO Flange
- Process Conn. Orientation : Side and Side



NOTE
 1. GENERAL TOLERANCE $\pm 3\text{mm}$ EXCEPT AS NOTED.
 2. FLANGE SHALL BE IN ACCORDANCE WITH ASME B16.5

<table border="1"> <tr><td>△</td><td>.</td><td>.</td><td></td><td></td><td></td><td></td></tr> <tr><td>△</td><td>.</td><td>.</td><td></td><td></td><td></td><td></td></tr> <tr><td>△</td><td>.</td><td>.</td><td></td><td></td><td></td><td></td></tr> <tr><td>△</td><td>.</td><td>.</td><td></td><td></td><td></td><td></td></tr> <tr><td>△</td><td>2013.09.11</td><td></td><td></td><td></td><td></td><td></td></tr> </table>	△	.	.					△	.	.					△	.	.					△	.	.					△	2013.09.11						HITROL CO., LTD.						SCALE N.S	UNIT mm	SHEET NO. /
	△	.	.																																									
	△	.	.																																									
	△	.	.																																									
	△	.	.																																									
△	2013.09.11																																											
TITLE							PROJECT																																					
EXTERNAL CHAMBER HC-4300-F																																												
DRAWING NO.							HC4300F-GA-001																																					
NO.	DATE	REVISION	REV'D BY	CHK'D BY	APP'D BY																																							

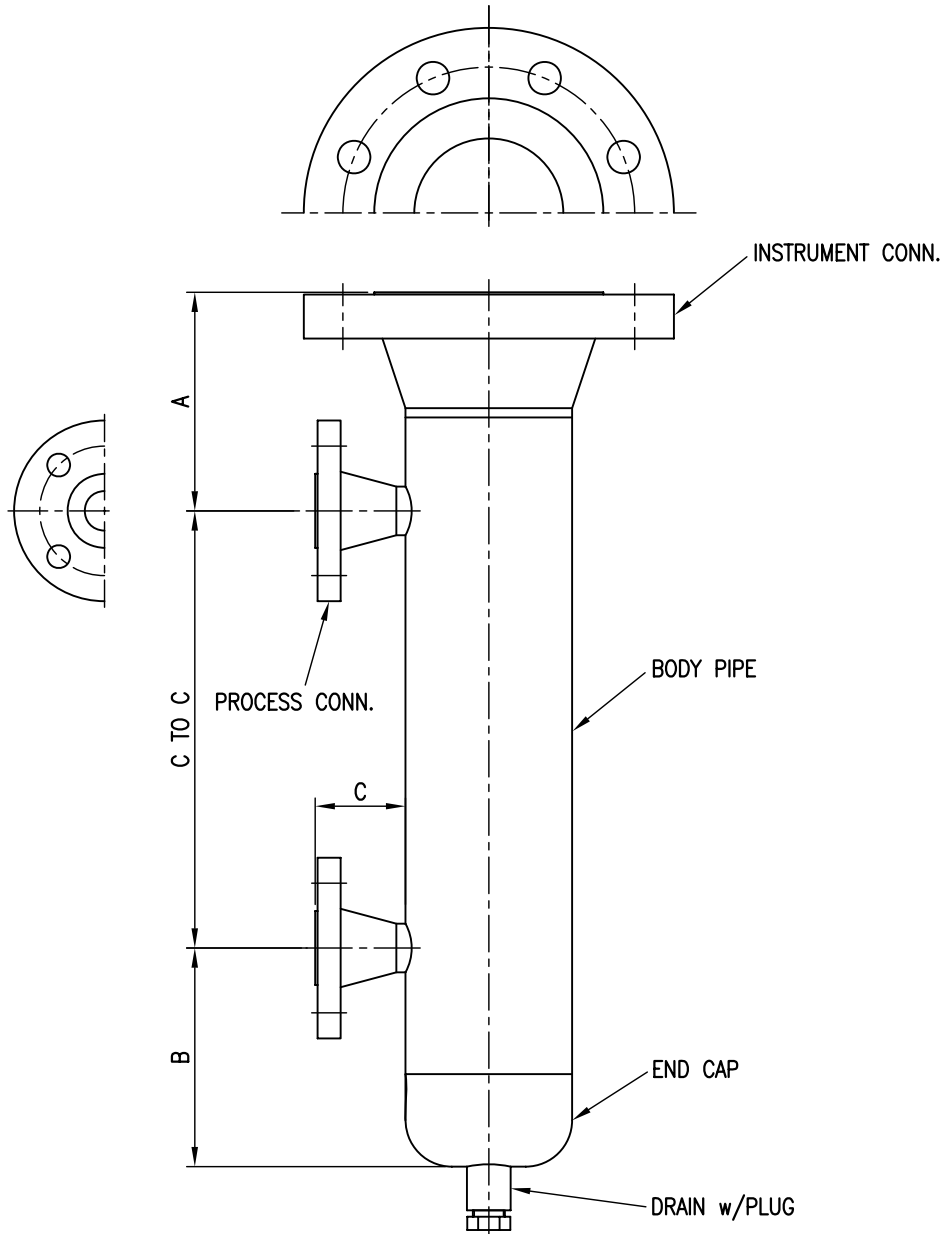
- Chamber Size : 4"
- Rating : ASME Class 300
- Conn. Type : RFSO Flange
- Process Conn. Orientation : Side and Bottom



NOTE
 1. GENERAL TOLERANCE $\pm 3\text{mm}$ EXCEPT AS NOTED.
 2. FLANGE SHALL BE IN ACCORDANCE WITH ASME B16.5

<table border="1"> <tr><td>⚠</td><td>.</td><td>.</td><td></td><td></td><td></td></tr> <tr><td>⚠</td><td>.</td><td>.</td><td></td><td></td><td></td></tr> <tr><td>⚠</td><td>.</td><td>.</td><td></td><td></td><td></td></tr> <tr><td>⚠</td><td>.</td><td>.</td><td></td><td></td><td></td></tr> <tr><td>⚠</td><td>2013.09.11</td><td></td><td></td><td></td><td></td></tr> </table>	⚠	.	.				⚠	.	.				⚠	.	.				⚠	.	.				⚠	2013.09.11					HITROL CO., LTD.					SCALE N.S	UNIT mm	SHEET NO. /
	⚠	.	.																																			
	⚠	.	.																																			
	⚠	.	.																																			
	⚠	.	.																																			
⚠	2013.09.11																																					
TITLE						PROJECT																																
EXTERNAL CHAMBER						DRAWING NO. HC4300F-GA-002																																
HC-4300-F																																						
NO.	DATE	REVISION	REV'D BY	CHK'D BY	APP'D BY																																	

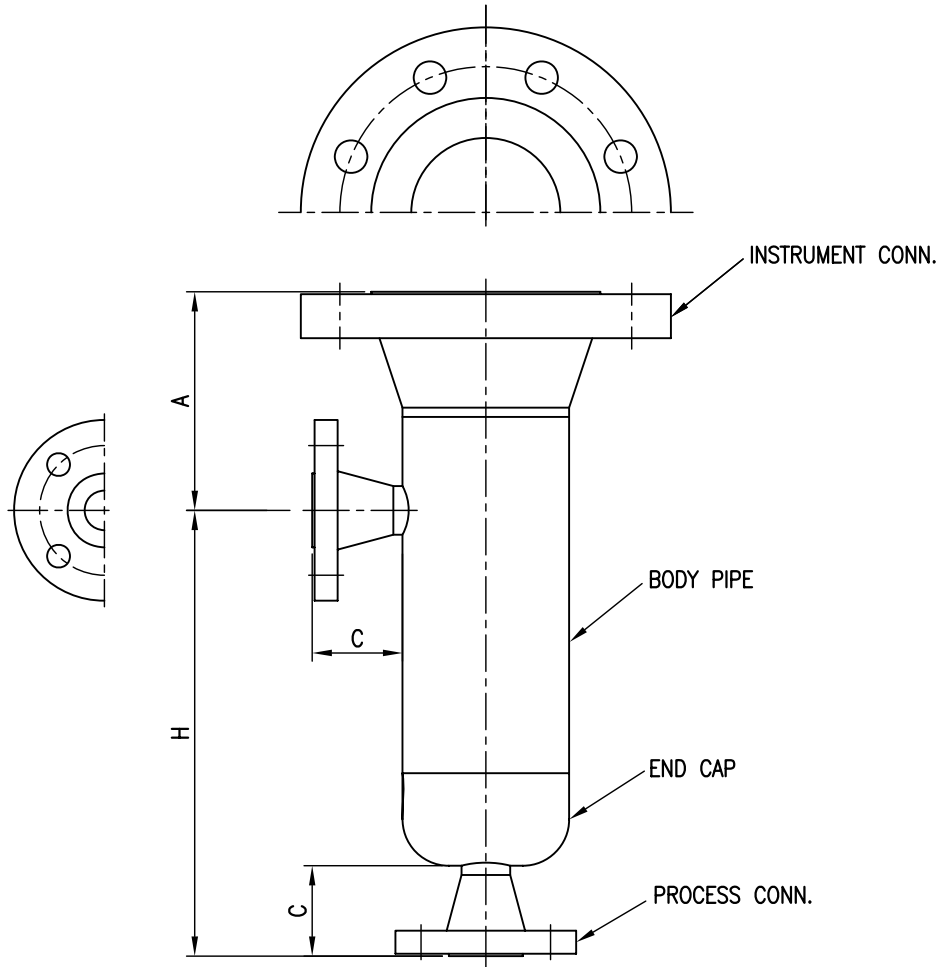
- Chamber Size : 4"
- Rating : ASME Class 300
- Conn. Type : RFWN Flange
- Process Conn. Orientation : Side and Side




NOTE
 1. GENERAL TOLERANCE $\pm 3\text{mm}$ EXCEPT AS NOTED.
 2. FLANGE SHALL BE IN ACCORDANCE WITH ASME B16.5

	. .					HITROL CO., LTD.	SCALE	UNIT	SHEET NO.	
	. .						N.S	mm	/	
	. .						TITLE	PROJECT		
	. .						EXTERNAL CHAMBER	DRAWING NO.		
	2013.09.11						HC-4300-F	HC4300F-GA-003		
NO.	DATE	REVISION	REV'D BY	CHK'D BY	APP'D BY					

- Chamber Size : 4"
- Rating : ASME Class 300
- Conn. Type : RFWN Flange
- Process Conn. Orientation : Side and Bottom



NOTE
 1. GENERAL TOLERANCE $\pm 3\text{mm}$ EXCEPT AS NOTED.
 2. FLANGE SHALL BE IN ACCORDANCE WITH ASME B16.5

<table border="1"> <tr><td>⚠</td><td>.</td><td>.</td><td></td><td></td><td></td><td></td></tr> <tr><td>⚠</td><td>.</td><td>.</td><td></td><td></td><td></td><td></td></tr> <tr><td>⚠</td><td>.</td><td>.</td><td></td><td></td><td></td><td></td></tr> <tr><td>⚠</td><td>.</td><td>.</td><td></td><td></td><td></td><td></td></tr> <tr><td>⚠</td><td>2013.09.11</td><td></td><td></td><td></td><td></td><td></td></tr> </table>	⚠	.	.					⚠	.	.					⚠	.	.					⚠	.	.					⚠	2013.09.11						 HITROL CO., LTD.						SCALE N.S	UNIT mm	SHEET NO. /
	⚠	.	.																																									
	⚠	.	.																																									
	⚠	.	.																																									
	⚠	.	.																																									
⚠	2013.09.11																																											
TITLE							PROJECT																																					
EXTERNAL CHAMBER HC-4300-F																																												
							DRAWING NO. HC4300F-GA-004																																					
NO.	DATE	REVISION	REV'D BY	CHK'D BY	APP'D BY																																							