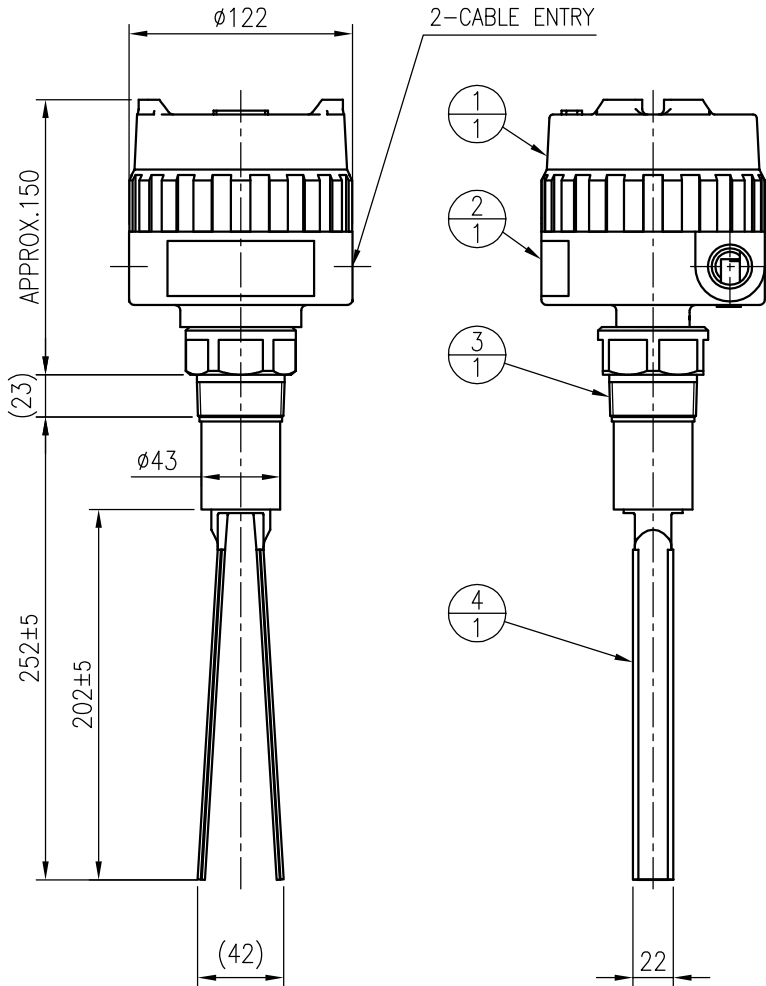


PO	TN
----	----



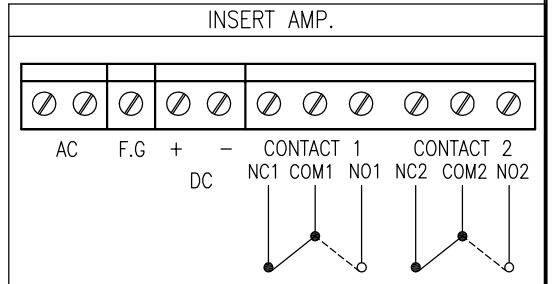
FOR	VIBRATION TYPE LEVEL SWITCH
MOUNTING	TOP or SIDE, SCREW
ENCLOSURE	WEATHER PROOF (IP65)
AMBIENT TEMP	-20 ~ +60°C
MAX. PRESSURE	10 kgf/cm ²
MAX. TEMP	120 °C

CABLE ENTRY	PF 3/4"(F)
	<input type="checkbox"/>

NO.	DESCRIPTION	MATERIAL	REMARK
1	COVER	AL.C	
2	BASE	AL.C	
3	PROCESS CONN.	316L SS	
4	TUNING FORK	SCS 14	

PROCESS CONN. SIZE	
<input type="checkbox"/>	PT 1-1/2"(M)
<input type="checkbox"/>	

ELECTRICAL SPECIFICATION		
SWITCH	TYPE	RELAY
	FORM	DPDT
	CONTACT RATING	AC 250V, 5A DC 30V, 5A
POWER SOURCE	AC 90...240V, 50/60Hz DC 24V	



TAG. NO.	Q'TY	REMARK

NOTE
1. GENERAL TOLERANCE ± 3 mm EXCEPT AS NOTED.

	.	.				HITROL CO., LTD. TITLE VIBRATION TYPE LEVEL SWITCH HTM-20NH-A	SCALE	UNIT	SHEET NO.
	.	.					N.S	mm	/
	.	.					PROJECT		
	.	.					DRAWING NO.		
	Aug. 2018	1ST ISSUE	Y H LEE	B S SUNG	Y H KIM		HTM20NHA-A-01		
NO.	DATE	REVISION	REV'D BY	CHK'D BY	APP'D BY				

This drawing is the property of HITROL and shall not be copied, communicated, or given for third-party permission without our written permission.