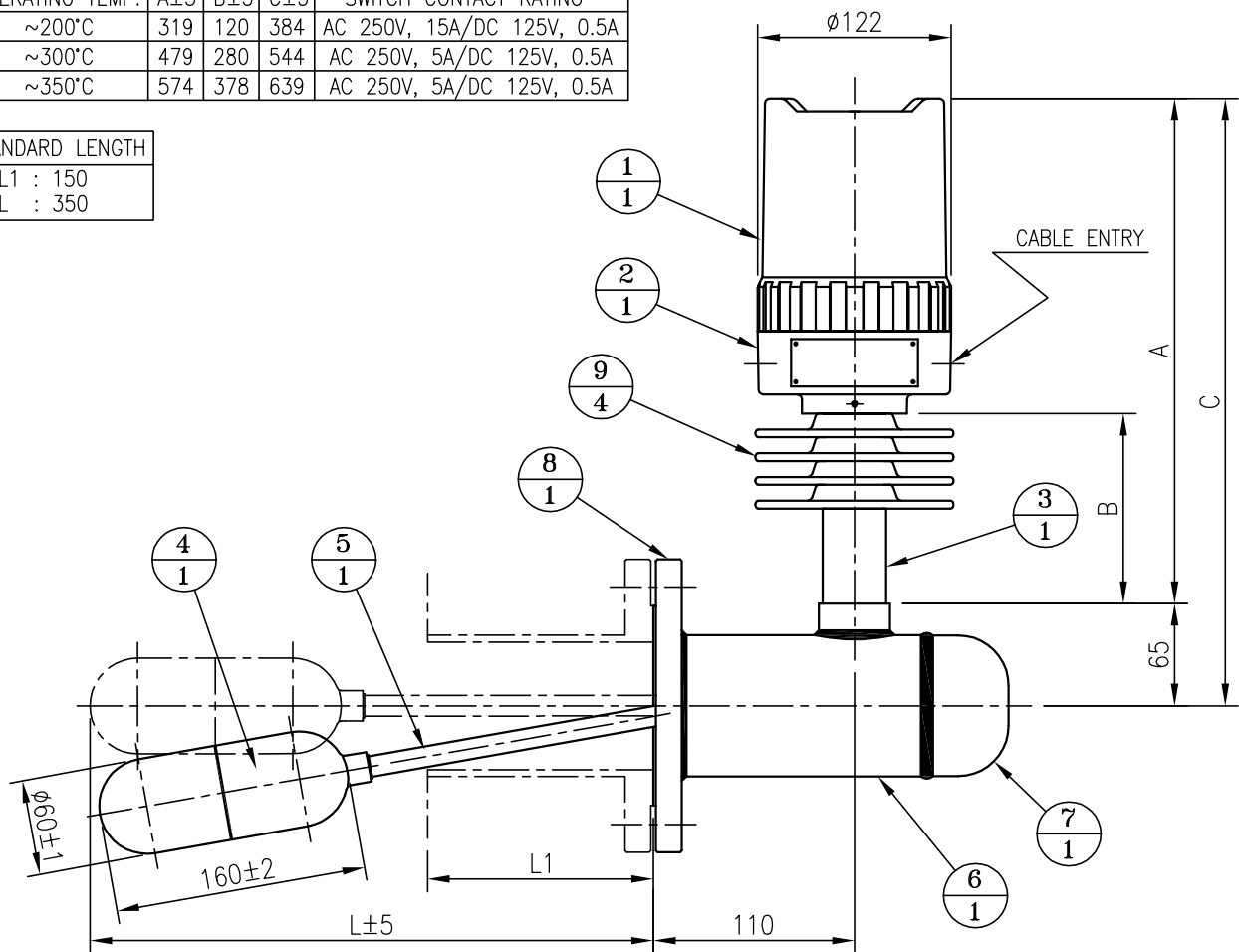


	OPERATING TEMP.	A±5	B±5	C±5	SWITCH CONTACT RATING
<input type="checkbox"/>	~200°C	319	120	384	AC 250V, 15A/DC 125V, 0.5A
<input type="checkbox"/>	~300°C	479	280	544	AC 250V, 5A/DC 125V, 0.5A
<input type="checkbox"/>	~350°C	574	378	639	AC 250V, 5A/DC 125V, 0.5A

* STANDARD LENGTH

L1 : 150
L : 350



FOR	LEVEL SWITCH
MOUNTING	SIDE
ENCLOSURE	Ex-PROOF(Ex d IIC T4), IP65
MAX. PRESSURE	kgf/cm ²
MAX. TEMP	120 °C

CABLE ENTRY	PF 3/4"(F)
<input type="checkbox"/>	

NO.	DESCRIPTION	MATERIAL	REMARK
1	COVER	AL.C	
2	BASE	AL.C	
3	CONNECTOR	316L SS	
4	FLOAT	316L SS	
5	ROD	316L SS	
6	CHAMBER	<input type="checkbox"/> C.S. <input type="checkbox"/> 304 SS <input type="checkbox"/> 316L SS	
7	CAP	<input type="checkbox"/> C.S. <input type="checkbox"/> 304 SS <input type="checkbox"/> 316L SS	
8	PROCESS CONN.	<input type="checkbox"/> C.S. <input type="checkbox"/> 304 SS <input type="checkbox"/> 316L SS	
9	COOLING FIN	AL.C	

PROCESS CONN. SIZE
<input type="checkbox"/> 80A JIS 10K RF
<input type="checkbox"/>

ELECTRICAL SPECIFICATION		
SWITCH	TYPE	MICRO
	FORM	<input type="checkbox"/> 1-SPDT <input type="checkbox"/> 1-DPDT

TAG. NO.	Q'TY	L1	L

NOTE
1. GENERAL TOLERANCE ±3mm EXCEPT AS NOTED.

	. .				
	. .				
	. .				
	. .				
	MAY. 2018	1ST ISSUE	D Y KIM	B S SUNG	Y H KIM
NO.	DATE	REVISION	REV'D BY	CHK'D BY	APP'D BY



HITROL CO., LTD.

TITLE

FLOAT TYPE LEVEL SWITCH
HM-90SH-Ex

SCALE	UNIT	SHEET NO.
N.S	mm	/

PROJECT
DRAWING NO.
HM90SHEX-A-01

This drawing is the property of HITROL and shall not be copied, communicated, or given for tiers except with our written permission