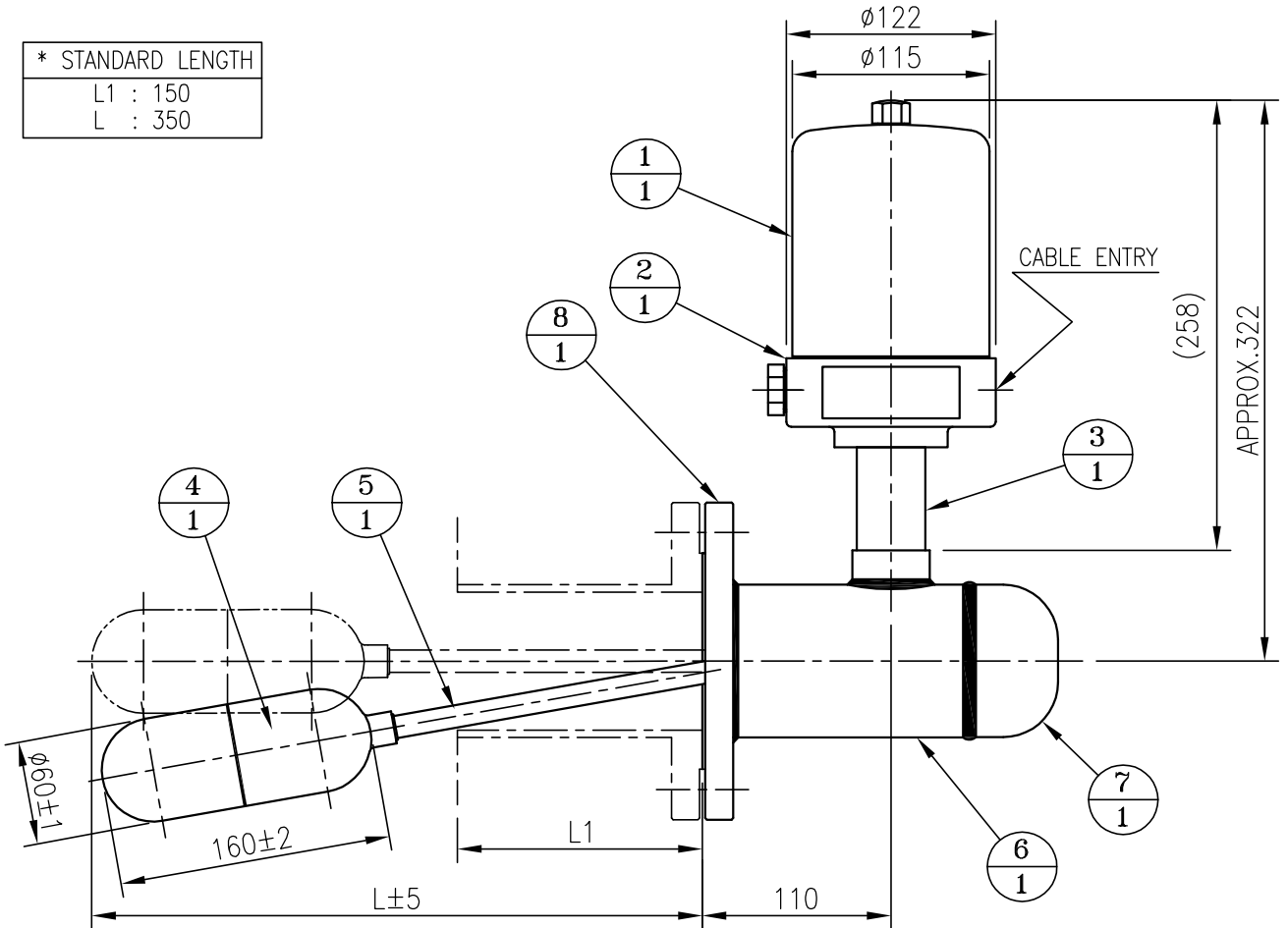


\* STANDARD LENGTH  
L1 : 150  
L : 350



FOR	LEVEL SWITCH
MOUNTING	SIDE
ENCLOSURE	WEATHER PROOF (IP65)
MAX. PRESSURE	kgf/cm <sup>2</sup>
MAX. TEMP	120 °C

CABLE ENTRY	PF 3/4"(F)
	<input type="checkbox"/>

NO.	DESCRIPTION	MATERIAL	REMARK
1	COVER	C.S	
2	BASE	AL.C	
3	CONNECTOR	316L SS	
4	FLOAT	316L SS	
5	ROD	316L SS	
6	CHAMBER	<input type="checkbox"/> C.S <input type="checkbox"/> 304 SS <input type="checkbox"/> 316L SS	
7	CAP	<input type="checkbox"/> C.S <input type="checkbox"/> 304 SS <input type="checkbox"/> 316L SS	
8	PROCESS CONN.	<input type="checkbox"/> C.S <input type="checkbox"/> 304 SS <input type="checkbox"/> 316L SS	

PROCESS CONN. SIZE
<input type="checkbox"/> 80A JIS 10K RF
<input type="checkbox"/>

ELECTRICAL SPECIFICATION		
SWITCH	TYPE	MICRO
	FORM	<input type="checkbox"/> 1-SPDT
		<input type="checkbox"/> 1-DPDT
CONTACT RATING	AC 250V, 15A DC 125V, 0.5A	

TAG. NO.	Q'TY	L1	L

NOTE  
1. GENERAL TOLERANCE ±3mm EXCEPT AS NOTED.

△	.	.			
△	.	.			
△	.	.			
△	.	.			
△	MAY. 2018	1ST ISSUE	D Y KIM	B S SUNG	Y H KIM
NO.	DATE	REVISION	REV'D BY	CHK'D BY	APP'D BY

**HITROL** HITROL CO., LTD.  
TITLE  
**FLOAT TYPE LEVEL SWITCH  
HM-90S**

SCALE	UNIT	SHEET NO.
N.S	mm	/
PROJECT		
DRAWING NO. HM90S-A-01		

This drawing is the property of HITROL and shall not be copied, communicated, or given for tiers except with our written permission