

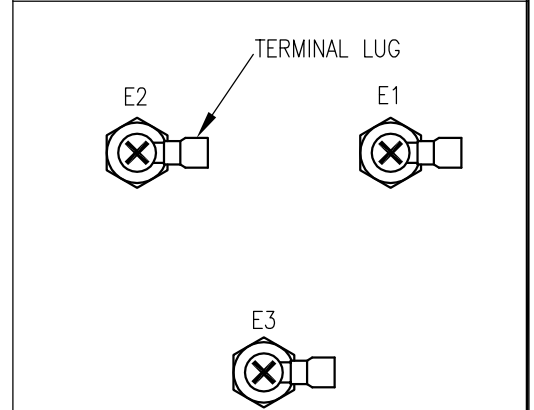
FOR	ELECTRODE TYPE LEVEL SENSOR		
MOUNTING	TOP, FLANGE		
ENCLOSURE	WEATHER-PROOF (IP54)		
MAX. PRESSURE	ATM	kgf/cm ²	
MAX. TEMP	60	°C	

CABLE ENTRY	20A Hole
	<input type="checkbox"/>

NO.	DESCRIPTION	MATERIAL	REMARK
1	HOUSING	C.S	
2	PROCESS CONN.	ABS	
3	JOINT	316 SS	
4	INSULATION	PP	
5	ELECTRODE	316 SS	

PROCESS CONN. SIZE	
<input type="checkbox"/>	100A JIS 10K FF
<input type="checkbox"/>	

TERMINAL DETAIL DWG.



TAG. NO.	QTY	L1	L2	L

NOTE

1. GENERAL TOLERANCE : ±3 EXCEPT AS NOTED.

NO.	DATE	REVISION	REV'D BY	CHK'D BY	APP'D BY
△	. .				
△	. .				
△	. .				
△	. .				
△	Apr. 2018	1ST ISSUE	D Y KIM	B S SUNG	Y H KIM

HITROL HITROL CO., LTD.

TITLE
ELECTRODE TYPE LEVEL SENSOR
HE-3V

SCALE	N.S	UNIT	mm	SHEET NO.	
PROJECT					
DRAWING NO.		HE3V-A-01			

This drawing is the property of HITROL and shall not be copied, communicated, or given for third-party permission without our written permission.