

LEVEL INDICATOR

HI-100D Series



2 YEARS WARRANTY



ISO 14001



ISO 9001



www.hitrol.com



Always The Best Solution
HITROL CO., LTD.

Overview

HI-100D Series is a Local Indicator which receives DC 4~20mA signal from Level Transmitter and displays the various value as mA, %, m, ft, Level, Distance so that the status of level of medium in the tank can be checked.

Characteristics

- Digital Operating System based on 16Bit Microprocessor
- Universal field indicator for any level transmitter (DC 4~20mA)
- Available with various display mode (mA, %, Meter, Feet, Level, Distance)
- Easy setting and maintenance with Key Button
- High accuracy ($\pm 0.2\%$ F.S)
- Easy and variable wiring method (Serial : 2-wire / Parallel : 4-wire)
- Available to adjust the output signal based on site condition
- Easy Setting and Monitoring through a Laptop using a USB and UART port.
- Available to select for View and Rotation function of Display mode
- Applicable to explosion area (Ex-proof version)

Operating Principle

- HI-100D Series is a digital indicator which can be used with 2-wire Loop Transmitter. Based on Microprocessor, after receiving of the current signal (DC 4~20mA) measured by level transmitter, it calculates and displays the value as per user's setting in order to check the level of medium in the tank.

LEVEL INDICATOR HI-100D Series





Specification

Model	HI-100D	HI-100D-EX
Enclosure	Weather Proof	Ex d IIC T6 (IP65)
Material	P.T.B / A.L.C	A.L.C
Mounting	Local	
Microprocessor	16Bit Microprocessor	
Combination Unit	2-Wire DC 4~20mA Transmitter	
Display	mA, %, m, ft, Level, Distance	
Wire Connection	Serial & Parallel	
Drop Voltage	4.5V	
Accuracy	±0.2% F.S	
Ambient Temperature	-20°C ~ +60°C	
Status Indicator	Bi-Color LED [Green / Red]	

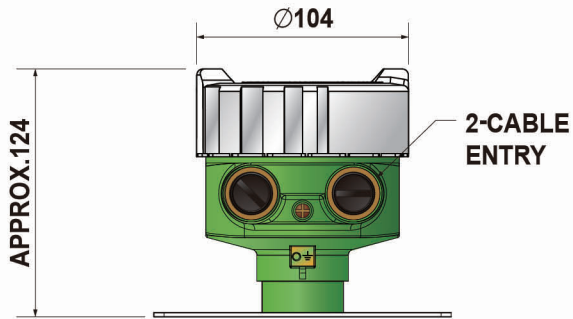
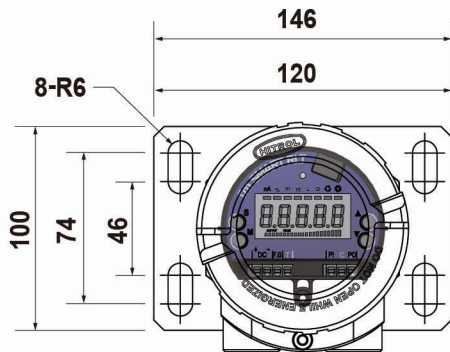


► **Order Code** can be printed at our website (www.hitrol.com)

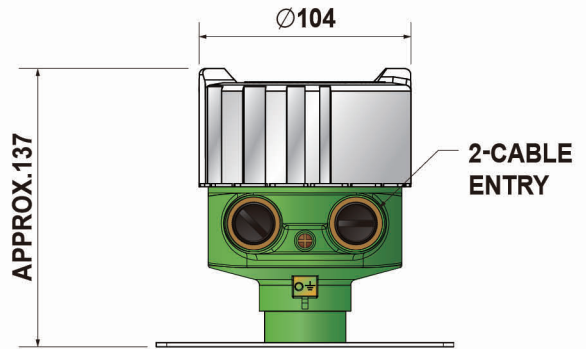
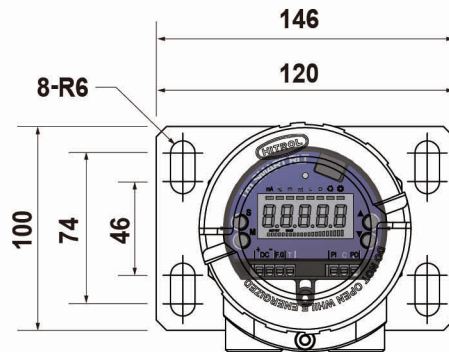


Dimension

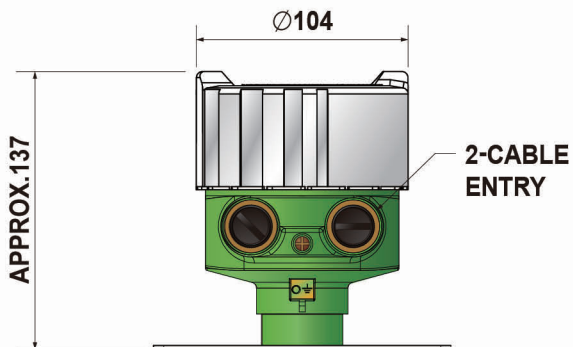
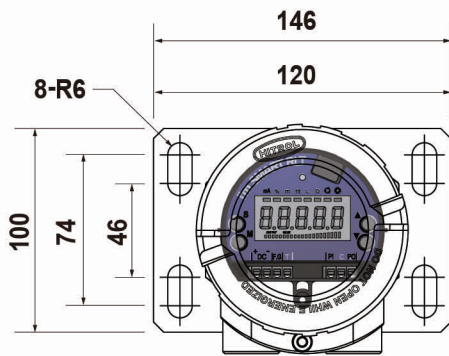
HI-100D (PBT)



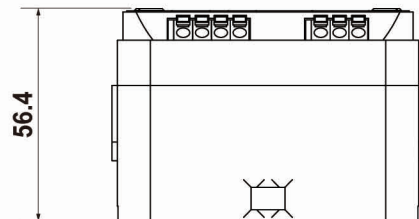
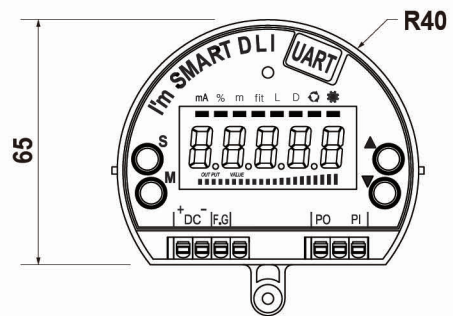
HI-100D (AL.C)



HI-100D-EX



HI-100D-AMP



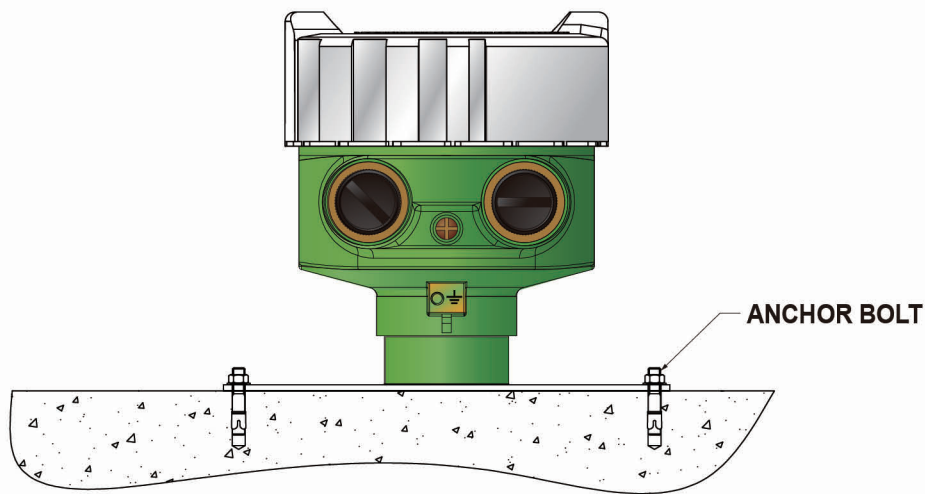
■ Actual product may have a tolerance slightly.



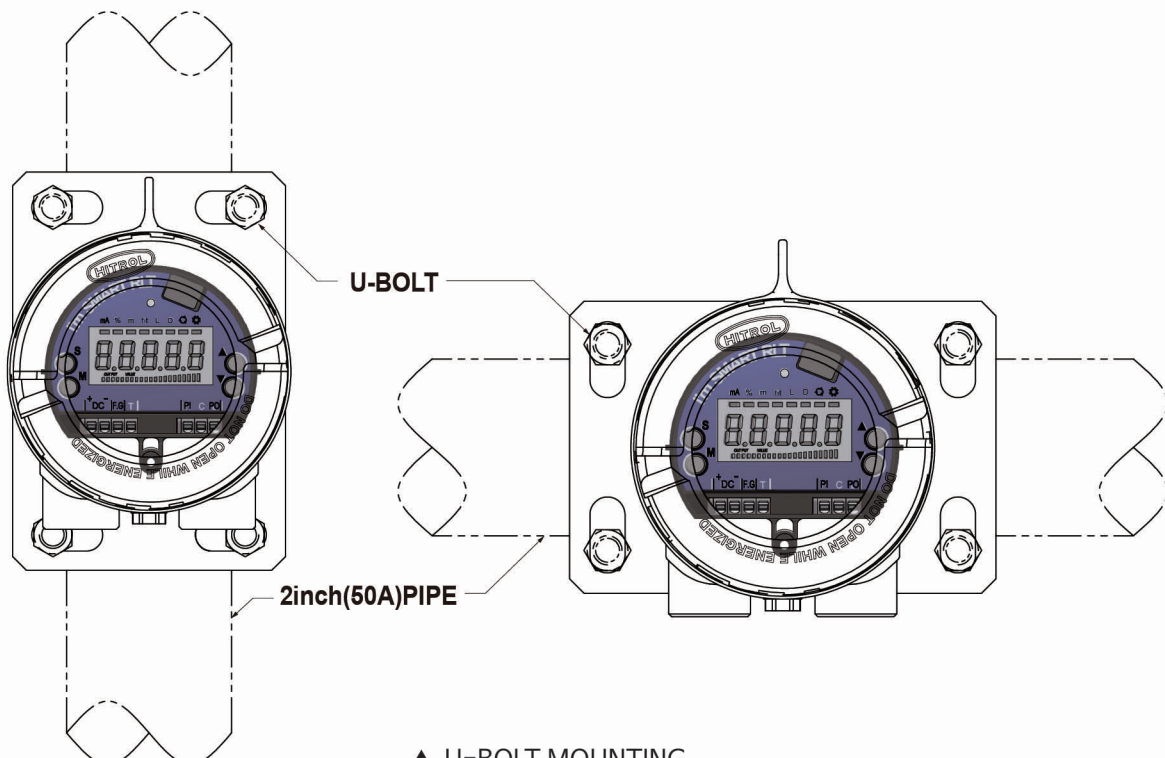
▼ Below drawing should be considered when installation.

HI-100D Series is generally installed to wall or 2" pipe where has vibrationless condition, using U-bolts or anchor bolts. If it is inevitably installed at the place where has vibration condition, it should be extra carefully installed because the bolts can be loosened by the vibration. Recommended bolt size is max. M10. If there is not special requirement, 2" pipe and bolts for installation is not supplied. In addition, please consider below cautions when installation.

- Ambient Temperature : -20~+60 °C
- It will be Installed in a place where it can be visually confirmed
- HI-100D-Ex is an explosion proof version, It can not be installed at the Zone 0 classified locations.



▲ ANCHOR BOLT MOUNTING

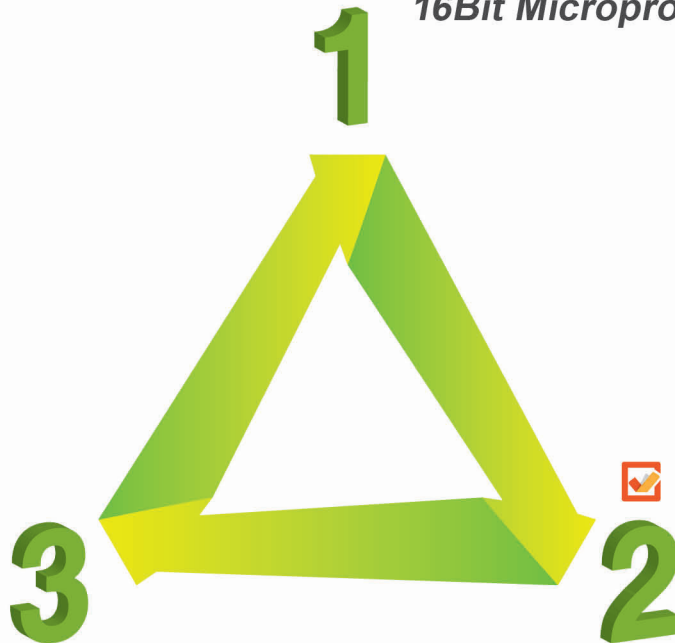


▲ U-BOLT MOUNTING



HI-100D Series

- ☑ **Digital Operating System based on 16Bit Microprocessor**



- ☑ **Easy and variable wiring method (Serial : 2-wire / Parallel : 4-wire)**

- ☑ **Available with various display mode (mA, %, Meter, Feet, Level, Distance)**