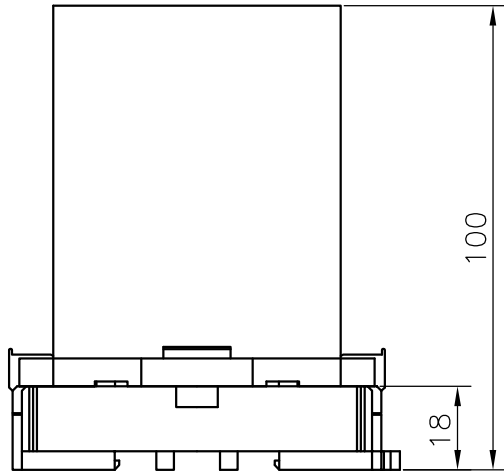
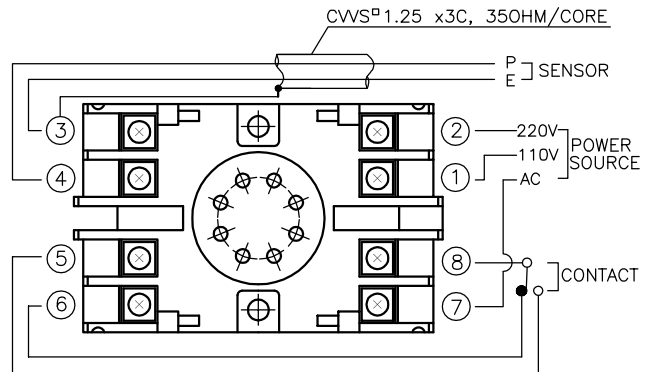
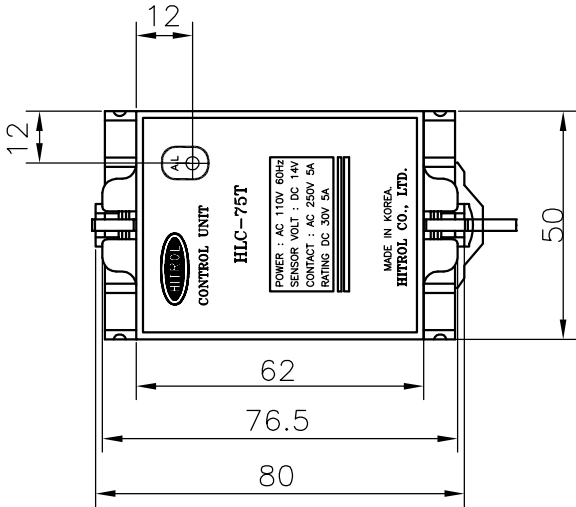
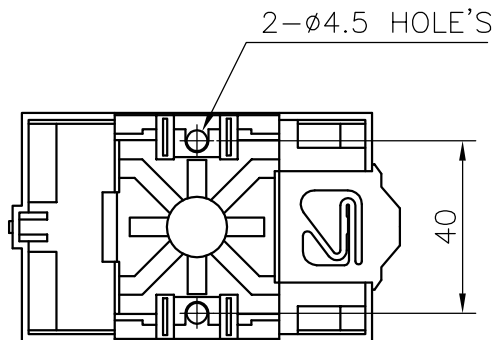
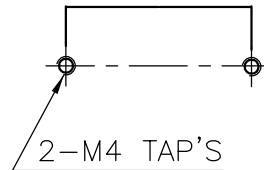


### CONTROL UNIT SOCKET



### PANEL MOUNTING SIZE



### SPECIFICATION

POWER SOURCE	<input type="checkbox"/> AC 110/220V, 60Hz <input type="checkbox"/> DC 24V
POWER CONSUMPTION	approx 3VA
SENSOR VOLT	DC 14V
RESPONSE TIME	approx 0.2m sec
CONTACT RATING	AC 250V, 5A max. DC 30V, 5A max.
CONTACT FORM	SPDT
AMBIENT TEMP.	-20 ~ +60°C
MOUNTING METHOD	PANEL REAR

### NOTE

1. GENERAL TOLERANCE ±5 EXCEPT AS NOTED.

△	.	.			
△	.	.			
△	.	.			
△	.	.			
△	MAY. 2018	1st ISSUE	D Y KIM	B S SUNG	Y H KIM
NO.	DATE	REVISION	REV'D BY	CHK'D BY	APP'D BY



HITROL CO., LTD.

TITLE

CONTROL UNIT  
HLC-75T

SCALE	UNIT	SHEET NO.
N.S	mm	/
PROJECT		
DRAWING NO.		
HLC75T-A-01		

This drawing is the property of HITROL and shall not be copied, communicated, or given for third-party except with our written permission