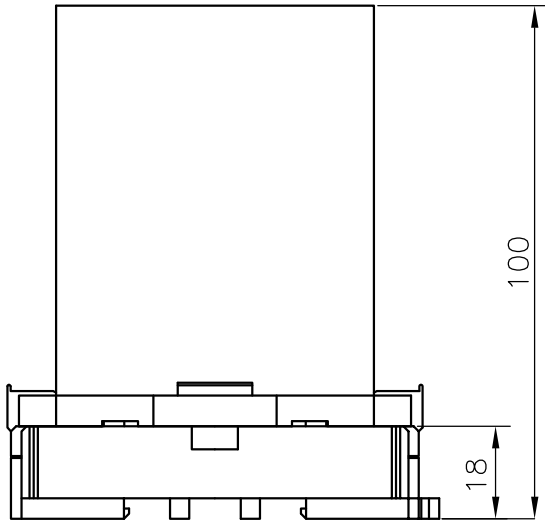
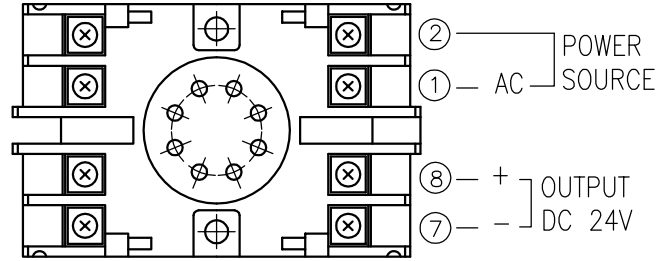
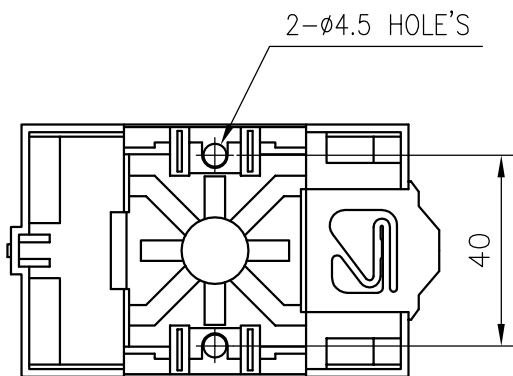
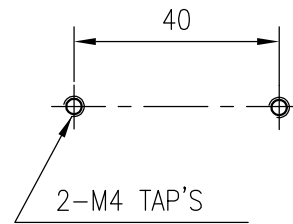


CONTROL UNIT SOCKET



PANEL MOUNTING SIZE



SPECIFICATION

POWER SOURCE	AC 85~264V, 50/60Hz
POWER CONSUMPTION	approx 2VA, 3VA
OUTPUT POWER	DC 24V / 0.4A
AMBIENT TEMP.	-20 ~ +70°C
MOUNTING METHOD	PANEL INSIDE

NOTE

1. GENERAL TOLERANCE IS ±3mm EXCEPT AS NOTED.

△	.	.			
△	.	.			
△	.	.			
△	.	.			
△	MAY. 2018	1ST ISSUE	D Y KIM	B S SUNG	Y H KIM
NO.	DATE	REVISION	REV'D BY	CHK'D BY	APP'D BY

HITROL HITROL CO., LTD.

TITLE
**CONTROL UNIT
HLC-24P**

SCALE N.S UNIT mm SHEET NO. /

PROJECT

DRAWING NO.
HLC24P-A-01

This drawing is the property of HITROL and shall not be copied, communicated, or given for tiers except with our written permission.