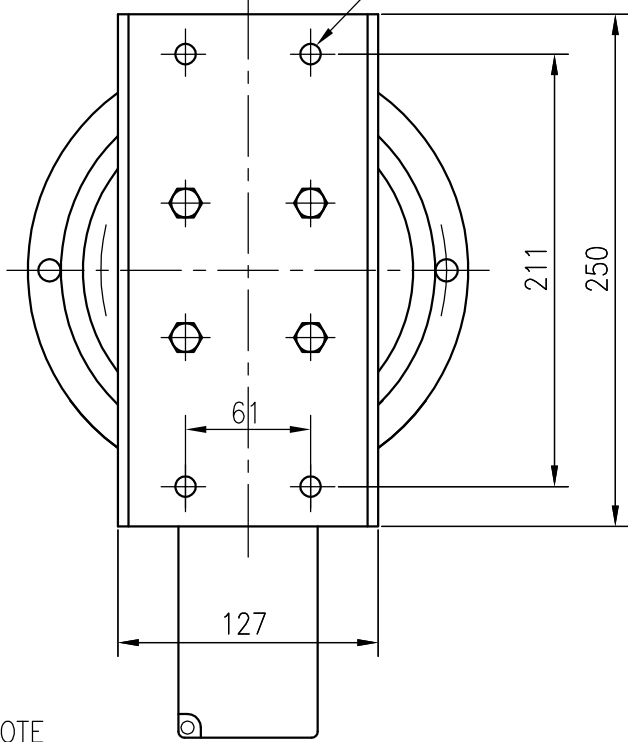


VIEW-A 4- ϕ 10 HOLE'S



ITEM	SPECIFICATION	REMARKS
SIZE	110x110	KS C1303
CLASS	1.5	
WORKING TEMPERATURE	0 to 40°	
STORAGE TEMPERATURE	-70° to +50°	
INDICATING ANGLE	250°	
SCALE PLATE COLOR	WHITE	
DIELECTRIC STRENGTH	AC 2600V, 1 MIN.	Case with terminal block bolt
INPUT	DC 0-1mA / DC 4-20mA	
WEIGHT	g	
COVER COLOR	SILVER	
CASE MATERIAL	CASE : A.L.C	
INSTALLATION ANGLE	COVER : A.L.C	
	TERMINAL PLATE : Pheol	

NOTE

1. GENERAL TOLERANCE ± 3 EXCEPT AS NOTED.

HITROL CO., LTD.						SCALE	UNIT	SHEET NO.
						N.S	mm	/
						PROJECT		
						DRAWING NO.		
LOCAL INDICATING HI-200AL						HI200AL-A-01		
NO.	DATE	REVISION	REV'D BY	CHK'D BY	APP'D BY			
	MAY. 2018	1ST ISSUE	D Y KIM	B S SUNG	Y H KIM			

This drawing is the property of HITROL and shall not be copied, communicated, or given for third-party except with our written permission.