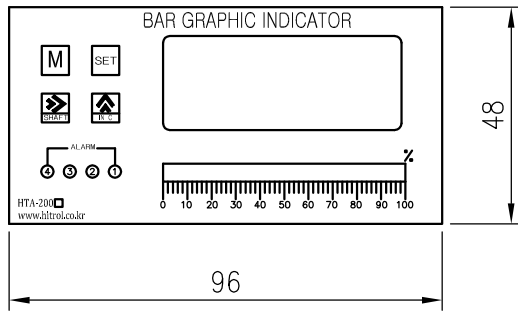
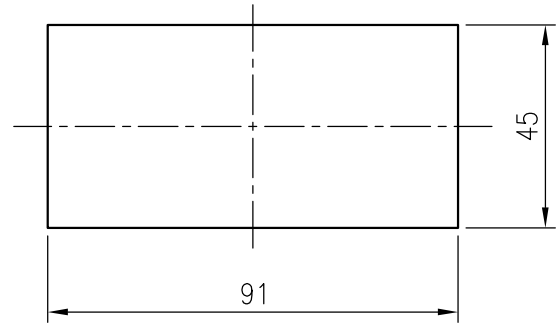


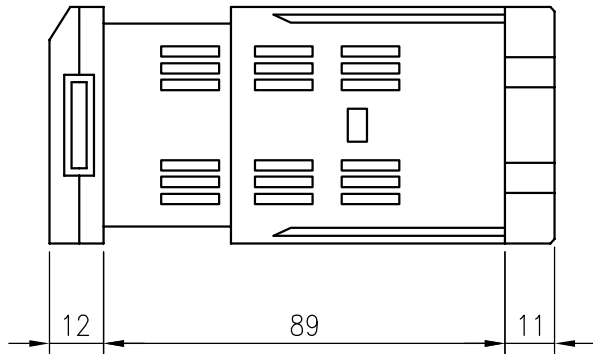
### ◆ FRONT VIEW



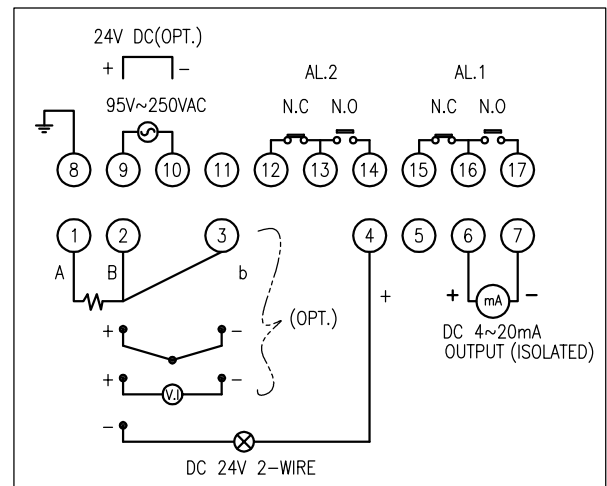
### ◆ PANEL CUTTING



### ◆ SIDE VIEW



### ◆ TERMINAL CONNECTION



### TECHNICAL DATA

|                  |                         |                                |  |  |
|------------------|-------------------------|--------------------------------|--|--|
| WEIGHT           |                         | APPROX. 300g                   |  |  |
| HOUSING MATERIAL |                         | ABS plastic (black)            |  |  |
| POWER SUPPLY     |                         | 4VA AC 110/220V(50/60Hz)(Std.) |  |  |
| INPUT            | mA                      | DC 0~20mA (STD.)               |  |  |
|                  | kΩ                      | 0~2kΩ (OPT.)                   |  |  |
|                  | V                       | DC 1~5V (OPT.)                 |  |  |
| ALARM 출력         | Output                  | DC 4~20mA, 2-ALARM(2-SPDT)     |  |  |
|                  | Max, switching power    | 750 VA, 90W                    |  |  |
|                  | Max, switching voltage  | 250 V AC, 110V DC              |  |  |
|                  | Max, switching current  | 5A                             |  |  |
|                  | Max, switching capacity | 3A DC, AC                      |  |  |
| △                | .                       | .                              |  |  |
| △                | .                       | .                              |  |  |
| △                | .                       | .                              |  |  |
| △                | .                       | .                              |  |  |
| △                | MAY. 2018               | INFORMATION                    | HITROL CO., LTD.<br>TITLE<br>MULTI BAR GRAPHIC INDICATOR<br>HTA-2002 |  |
| NO.              | DATE                    | REVISION                       |  |  |