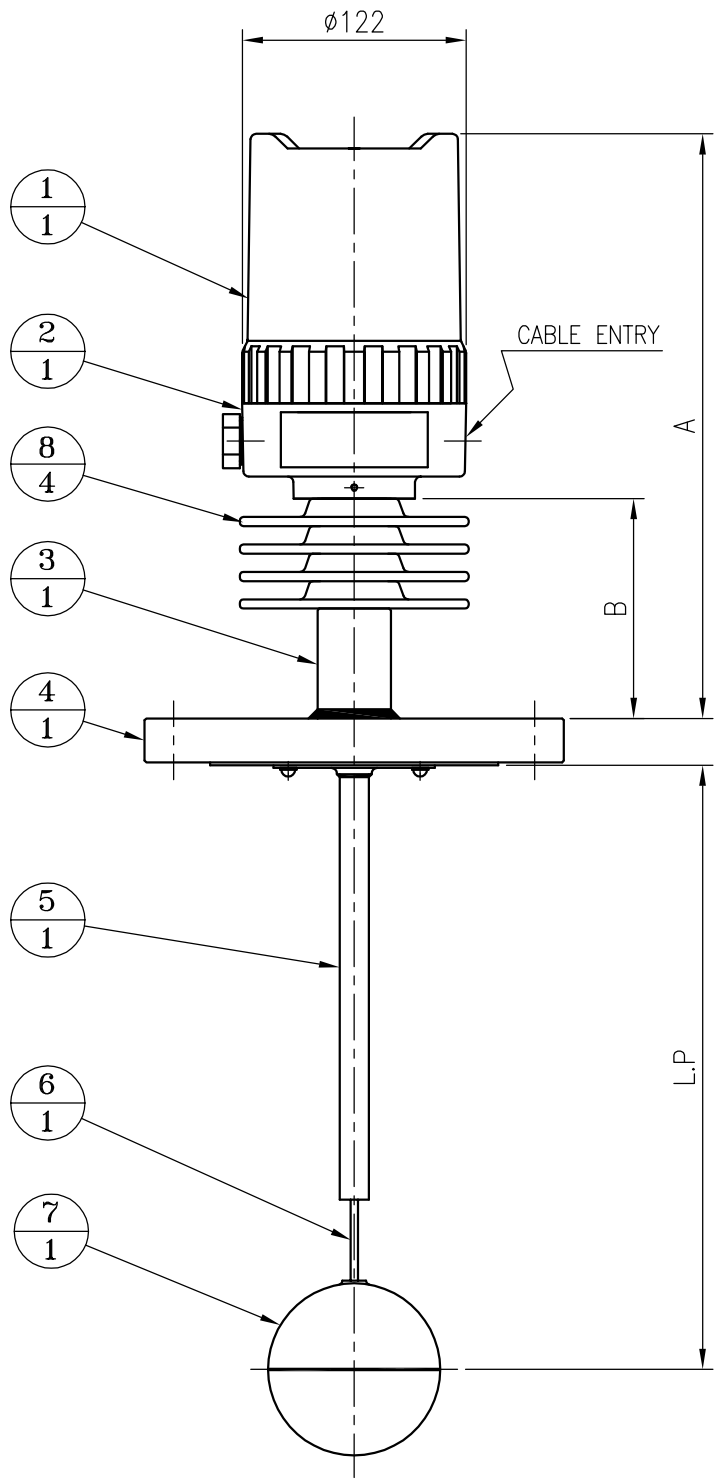


PO		TN	
----	--	----	--



FOR	LEVEL SWITCH
MOUNTING	TOP
ENCLOSURE	Ex-PROOF(Ex d IIC T4), IP65
MAX. PRESSURE	kgf/cm ²
MAX. TEMP.	°C

CABLE ENTRY	PF 3/4"(F)
	<input type="checkbox"/>

NO.	DESCRIPTION	MATERIAL	REMARK
1	COVER	ALC	
2	BASE	ALC	
3	CONNECTOR	316L SS	
4	PROCESS CONN.	<input type="checkbox"/> 304 SS <input type="checkbox"/> 316L SS	
5	ROD GUIDE	316L SS	
6	ROD	316L SS	
7	FLOAT	316L SS	
8	COOLING FIN.	ALC	

PROCESS CONN. SIZE	FLOAT SIZE
<input type="checkbox"/> 100A JIS 10K RF	ø94
<input type="checkbox"/> 125A JIS 10K RF	ø114
<input type="checkbox"/>	

ELECTRICAL SPECIFICATION		
SWITCH	TYPE	MICRO
	FORM	<input type="checkbox"/> 1-SPDT <input type="checkbox"/> 1-DPDT
SWITCH ACTION		
SWITCH NO.1		<input type="checkbox"/> HIGH LEVEL (N.O) <input type="checkbox"/> LOW LEVEL (N.C)

TAG No.	Q'ty	L.P

	OPERATING TEMP.	A±5	B±5	SWITCH CONTACT RATING
<input type="checkbox"/>	121°C~200°C	319	120	AC 250V, 15A/DC 125V, 0.5A
<input type="checkbox"/>	201°C~300°C	479	280	AC 250V, 5A/DC 125V, 0.5A
<input type="checkbox"/>	301°C~350°C	479	280	AC 250V, 1A/DC 125V, 0.4A

NOTE
1. GENERAL TOLERANCE ±3mm EXCEPT AS NOTED.

HITROL CO., LTD.						SCALE	UNIT	SHEET NO.
TITLE						N.S	mm	/
FLOAT TYPE LEVEL SWITCH HM-95H-Ex						PROJECT		
NO. DATE REVISION REV'D BY CHK'D BY APP'D BY						DRAWING NO.		
JAN. 2018 1ST ISSUE D Y KIM B S SUNG Y H KIM						HM95HEX-A-01		

A4(210mm x 297mm)

This drawing is the property of HITROL and shall not be copied, communicated, or given for third-party permission