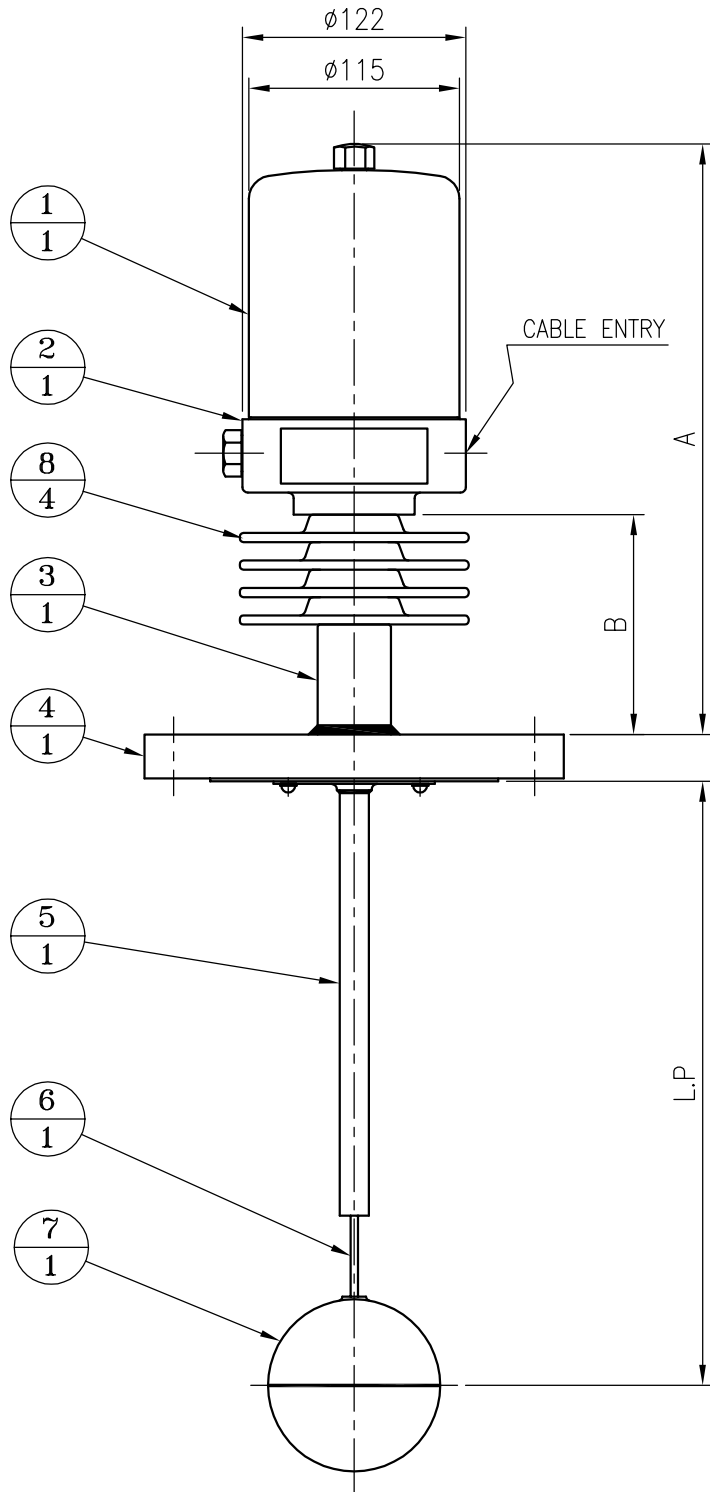


| | | | |
|----|--|----|--|
| PO | | TN | |
|----|--|----|--|



| | |
|---------------|----------------------|
| FOR | LEVEL SWITCH |
| MOUNTING | TOP |
| ENCLOSURE | WEATHER PROOF (IP65) |
| MAX. PRESSURE | kgf/cm ² |
| MAX. TEMP. | °C |

| | |
|-------------|--------------------------|
| CABLE ENTRY | PF 3/4"(F) |
| | <input type="checkbox"/> |

| NO. | DESCRIPTION | MATERIAL | REMARK |
|-----|---------------|---|--------|
| 1 | COVER | C.S | |
| 2 | BASE | AL.C | |
| 3 | CONNECTOR | 316L SS | |
| 4 | PROCESS CONN. | <input type="checkbox"/> 304 SS <input type="checkbox"/> 316L SS | |
| 5 | ROD GUIDE | 316L SS | |
| 6 | ROD | 316L SS | |
| 7 | FLOAT | 316L SS | |
| 8 | COOLING FIN. | AL.C | |

| PROCESS CONN. SIZE | FLOAT SIZE |
|--|------------|
| <input type="checkbox"/> 100A JIS 10K RF | ø94 |
| <input type="checkbox"/> 125A JIS 10K RF | ø114 |
| <input type="checkbox"/> | |

| ELECTRICAL SPECIFICATION | | |
|--------------------------|------|--|
| SWITCH | TYPE | MICRO |
| | FORM | <input type="checkbox"/> 1-SPDT <input type="checkbox"/> 1-DPDT |

| SWITCH ACTION | |
|---------------|---|
| SWITCH NO.1 | <input type="checkbox"/> HIGH LEVEL (N.O) <input type="checkbox"/> LOW LEVEL (N.C) |

| TAG No. | Q'ty | L.P |
|---------|------|-----|
| | | |
| | | |
| | | |

| | OPERATING TEMP. | A±5 | B±5 | SWITCH CONTACT RATING |
|--------------------------|-----------------|-----|-----|----------------------------|
| <input type="checkbox"/> | ~200°C | 318 | 120 | AC 250V, 15A/DC 125V, 0.5A |
| <input type="checkbox"/> | ~300°C | 478 | 280 | AC 250V, 5A/DC 125V, 0.5A |
| <input type="checkbox"/> | ~500°C | 478 | 280 | AC 250V, 1A/DC 125V, 0.4A |

NOTE
1. GENERAL TOLERANCE ±3mm EXCEPT AS NOTED.

| | | | | | | | |
|-----------------------------------|-----------|-----------|----------|----------|---------------------------|------------|-----------|
| HITROL CO., LTD. | | | | | SCALE N.S | UNIT mm | SHEET NO. |
| TITLE | | | | | PROJECT | | |
| FLOAT TYPE LEVEL SWITCH HM-95H | | | | | DRAWING NO. HM95H-A-01 | | |
| NO. | DATE | REVISION | REV'D BY | CHK'D BY | APP'D BY | | |
| | JAN. 2018 | 1ST ISSUE | D Y KIM | B S SUNG | Y H KIM | | |

A4(210mm x 297mm)

This drawing is the property of HITROL and shall not be copied, communicated, or given for third-party permission without our written permission.