

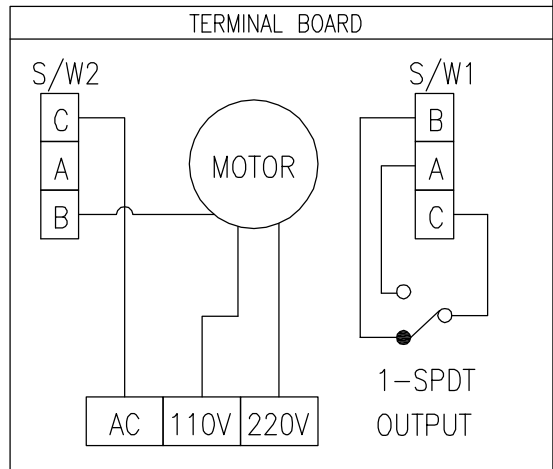
FOR	LEVEL SWITCH
MOUNTING	TOP or SIDE , FLANGE
ENCLOSURE	WEATHER PROOF (IP54)
MAX. PRESSURE	ATM kgf/cm ²
TEMP. HEAD	-20~+60°C
VESSEL	MAX. 150°C

POWER SOURCE	AC 110 / 220V, 60Hz
POWER CONSUMPTION	APPROX 2.5 VA
NUMBER OF ROTATION	2 rev./min
CONTACT CAPACITY	AC 250V, 15A

CABLE ENTRY	PF 3/4"(F)
	<input type="checkbox"/>

NO.	DESCRIPTION	MATERIAL	REMARK
1	HEAD	AL.C	
2	CONNECTOR	304 SS	ø38.1
3	PROCESS CONN.	<input type="checkbox"/> 304 SS <input type="checkbox"/> 316L SS	
4	SHAFT	304 SS	ø10
5	PADDLE	304 SS	t = 1.5
6	PROTECTION TUBE	304 SS	ø38.1

PROCESS CONN. SIZE	
<input type="checkbox"/>	65A JIS 10K RF
<input type="checkbox"/>	



TAG NO.	Q'TY	L

NOTE
1. GENERAL TOLERANCE ±3 EXCEPT AS NOTED.

△	.	.			
△	.	.			
△	.	.			
△	.	.			
△	JAN. 2018	1ST ISSUE	D Y KIM	B S SUNG	Y H KIM
NO.	DATE	REVISION	REV'D BY	CHK'D BY	APP'D BY

HITROL CO., LTD.	SCALE	UNIT	SHEET NO.
	N.S	mm	—
TITLE	PROJECT		
PADDEL TYPE LEVEL SWITCH	DRAWING NO.		
HLV-310AP	HLV310AP-AA-01		

This drawing is the property of HITROL and shall not be copied, communicated, or given for third-party permission without our written permission.