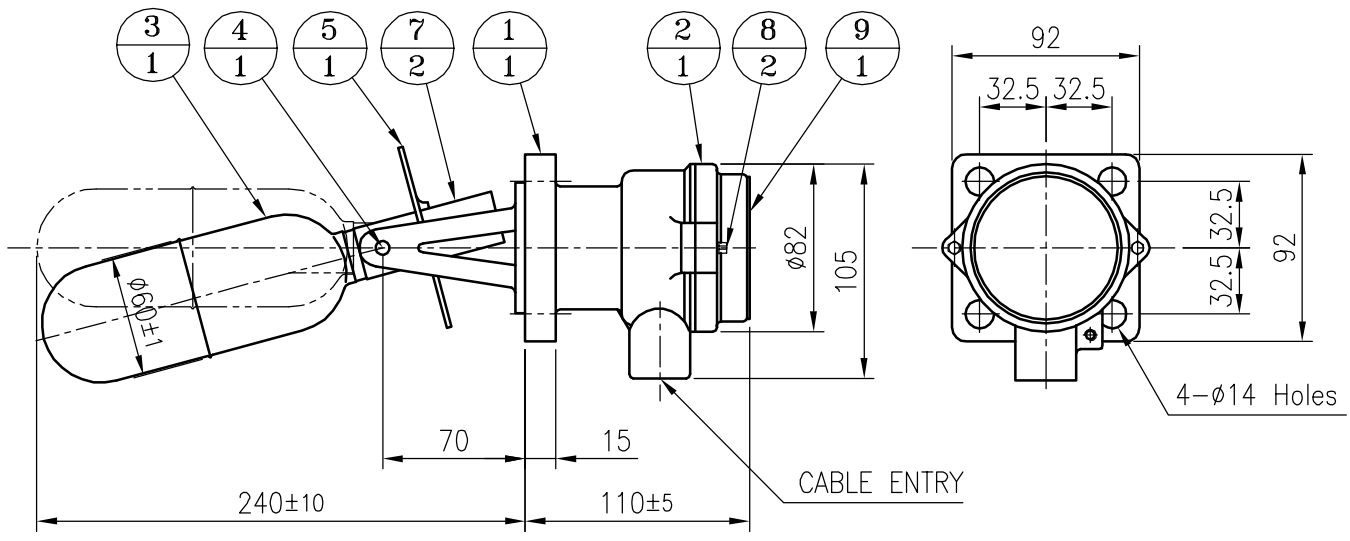


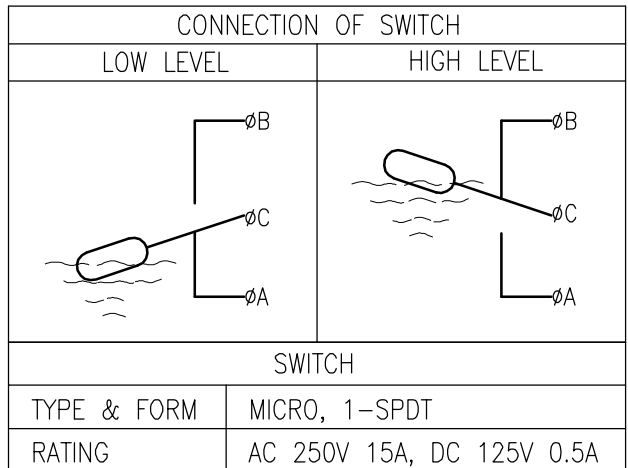
REMARK
NOZZLE LENGTH : 70mm(STD.)



FOR	LEVEL SWITCH	
MOUNTING	FLANGE	
ENCLOSURE	WEATHER PROOF (IP65)	
MAX. PRESSURE	10	kgf/cm ²
MAX. TEMP	120	°C

CABLE ENTRY	PF 1/2"(F)
	<input type="checkbox"/>

NO.	DESCRIPTION	MATERIAL	REMARK
1	BODY	Bs	92x92 Square Flange
2	COVER	Bs	
3	FLOAT	316L SS	
4	PIN	316L SS	
5	STOPPER	316L SS	
6	FIXED BAR	Bs	
7	MAGNET	ALNICO	
8	BOLT, WASHER	316L SS	
9	NAME PLATE	AL	



TAG NO.	Q'TY	REMARK

NOTE
1. GENERAL TOLERANCE ±3 EXCEPT AS NOTED.

. DEC. 2017 1ST ISSUE NO. DATE REVISION	D Y KIM REV'D BY	B S SUNG CHK'D BY	Y H KIM APP'D BY	HITROL CO., LTD. TITLE FLOAT TYPE LEVEL SWITCH HM-12D	SCALE	UNIT	SHEET NO.
					N.S	mm	/
				PROJECT	DRAWING NO. HM12D-A-01		

This drawing is the property of HITROL and shall not be copied, communicated, or given for third-party except with our written permission