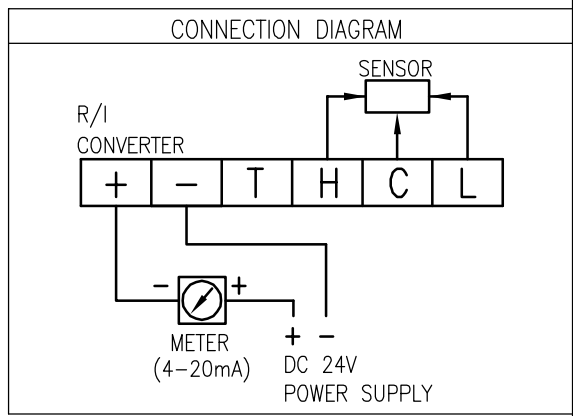


FOR	LEVEL TRANSMITTER FOR HLG-100F
MOUNTING	BAND TIGHT
ENCLOSURE	Ex-PROOF (Ex d IIC T6, IP65)
MAX. PRESSURE	ATM kgf/cm <sup>2</sup>
AMBIENT TEMP.	-20 ~ +60 °C
POWER SUPPLY	DC 24V
OUTPUT SIGNAL	DC 4 ~ 20mA

CABLE ENTRY	PF 3/4"(F)
	<input type="checkbox"/>

NO.	DESCRIPTION	MATERIAL	REMARK
1	HOUSING	AL.C	
2	CONNECTOR	304 SS	
3	SENSING PIPE	316L SS	∅21.7



TAG NO.	Q'TY	L1	L2	L

**NOTE**  
 1. GENERAL DIMENSION TOLERANCE ±3mm EXCEPT AS NOTED.  
 2. RESOLUTION : ±10mm

HITROL CO., LTD.					SCALE	UNIT	SHEET NO.
TITLE					N.S	mm	/
LEVEL TRANSMITTER FOR HLG-100F					PROJECT		
HT-100R-Ex					DRAWING NO.		
NO. DATE REVISION REV'D BY CHK'D BY APP'D BY					HT100REx-A-01		

This drawing is the property of HITROL and shall not be copied, communicated, or given for third-party except with our written permission.