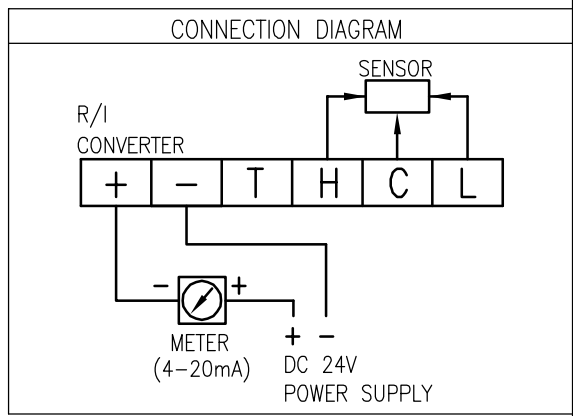


FOR	LEVEL TRANSMITTER FOR HLG-100F
MOUNTING	BAND TIGHT
ENCLOSURE	WEATHER PROOF (IP65)
MAX. PRESSURE	ATM kgf/cm <sup>2</sup>
AMBIENT TEMP.	-20 ~ +60 °C
POWER SUPPLY	DC 24V
OUTPUT SIGNAL	DC 4 ~ 20mA

CABLE ENTRY	PF 3/4"(F)
	<input type="checkbox"/>

NO.	DESCRIPTION	MATERIAL	REMARK
1	HOUSING	AL.C	
2	CONNECTOR	304 SS	
3	SENSING PIPE	316L SS	∅21.7



TAG NO.	Q'TY	L1	L2	L

**NOTE**  
 1. GENERAL DIMENSION TOLERANCE ±3mm EXCEPT AS NOTED.  
 2. RESOLUTION : ±10mm

						HITROL CO., LTD.	SCALE	UNIT	SHEET NO.
							N.S	mm	/
						TITLE LEVEL TRANSMITTER FOR HLG-100F HT-100R	PROJECT		
							DRAWING NO.		
	NOV. 2017	1ST ISSUE	D Y KIM	B S SUNG	Y H KIM		HT100R-A-01		
	NO.	DATE	REVISION	REV'D BY	CHK'D BY	APP'D BY			

This drawing is the property of HITROL and shall not be copied, communicated, or given for third-party permission.