

NOTE
 1. GENERAL TOLERANCE IS ± 3 mm EXCEPT AS NOTED.
 2. LENGTH : Std. 800mm.

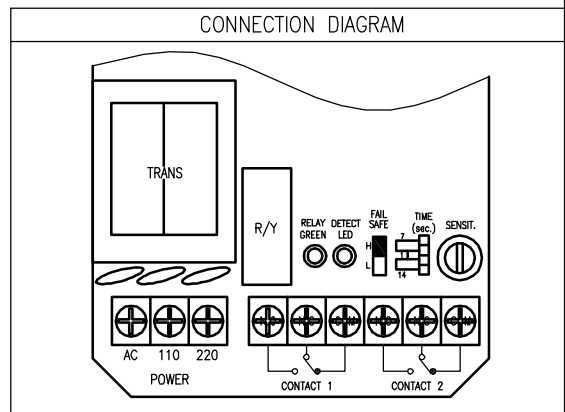
FOR	COMPACT TYPE LEVEL SWITCH
MOUNTING	TOP & SIDE, FLANGE
ENCLOSURE	WEATHER PROOF (IP54)
AMBIENT TEMP.	-20 ~ +60°C
MAX. PRESSURE	10 kgf/cm ²
MAX. TEMP.	240 °C

CABLE ENTRY	PF 3/4"(F)
	<input type="checkbox"/>

NO.	DESCRIPTION	MATERIAL	REMARK
1	COVER	ALC	
2	BASE	ALC	
3	CONNECTOR	304 SS	
4	PROCESS CONN.	<input type="checkbox"/> 304 SS <input type="checkbox"/> 316L SS	
5	INACTIVE ROD	316L SS	
6	INSULATION	SMC	
7	SUB PROBE	316L SS	
8	SENSING PROBE	316L SS	

PROCESS CONN. SIZE	
<input type="checkbox"/>	50A JIS 10K RF
<input type="checkbox"/>	

ELECTRICAL SPECIFICATION	
POWER SOURCE	AC 110V/220V, 50Hz/60Hz
CONTACT RATING	AC 250V 5A, DC 30V 1A
CONTACT FORM	DPDT
MEASURING RANGE	1-10pF
SENSITIVITY	0.5pF
FAIL SAFE	H & L SELECTION
TIME ADJUSTABLE	1,7,14 sec.
INDICATION	OPERATION RED LED
	RELAY GREEN LED



TAG. NO.	QTY	L

△					
△					
△					
△					
△	OCT. 2017	1ST ISSUE	D Y KIM	B S SUNG	Y H KIM
NO.	DATE	REVISION	REV'D BY	CHK'D BY	APP'D BY

HITROL HITROL CO., LTD.

TITLE
 RADIO FREQUENCY TYPE LEVEL SWITCH
 FOR SOLIDS HCC-96RF-S

SCALE N.S UNIT mm SHEET NO. /

PROJECT
 DRAWING NO.
 HCC96RFS-A-01

This drawing is the property of HITROL and shall not be copied, communicated, or given for third-party permission.