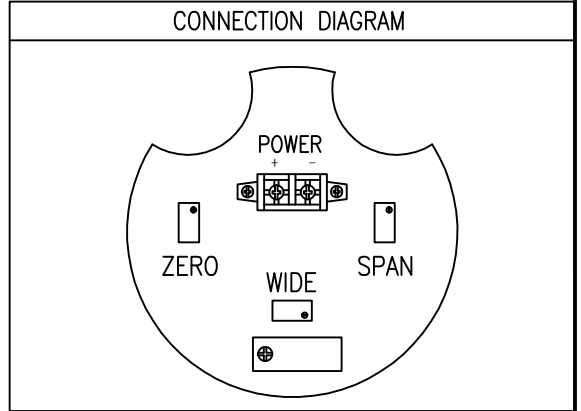


PO		TN	
FOR	LEVEL TRANSMITTER		
MOUNTING	TOP		
ENCLOSURE	WEATHER PROOF (IP65)		
MAX. PRESSURE	ATM	kgf/cm ²	
MAX. TEMP.	70	°C	
POWER SUPPLY	DC 24V		
OUTPUT SIGNAL	DC 4 ~ 20 mA		

CABLE ENTRY	PF 3/4"(F)
	<input type="checkbox"/>

NO.	DESCRIPTION	MATERIAL	REMARK
1	COVER	AL.C	
2	BASE	AL.C	
3	PROCESS CONN.	<input type="checkbox"/> 304 SS <input type="checkbox"/> 316L SS	
4	CABLE	POLYURETHANE	<input type="checkbox"/> STD. <input type="checkbox"/> TEFLON LINED
5	SENSOR BODY	316L SS	
6	MEASURING CELL	316L SS	

PROCESS CONN. SIZE	50A JIS 10K RF
	<input type="checkbox"/>



TAG NO.	Q'TY	MEASURING RANGE	L

NOTE
1. GENERAL TOLERANCE ±5mm EXCEPT AS NOTED.

△	.	.				
△	.	.				
△	.	.				
△	.	.				
△	MAR. 2017	1ST ISSUE	S W JUNG	J H CHOI	B S SUNG	
NO.	DATE	REVISION	REV'D BY	CHK'D BY	APP'D BY	

HITROL HITROL CO., LTD.
TITLE
PRESSURE TYPE LEVEL TRANSMITTER
HT-100PT

SCALE	UNIT	SHEET NO.
N.S	mm	
PROJECT		
DRAWING NO. HT100PT-A-01		

This drawing is the property of HITROL and shall not be copied, communicated, or given for third-party permission.