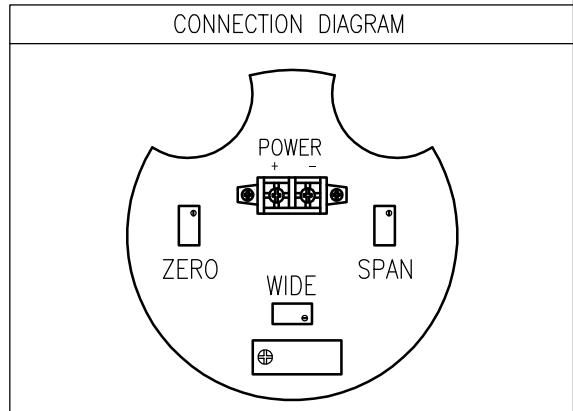


FOR	LEVEL TRANSMITTER
MOUNTING	SIDE
ENCLOSURE	WEATHER PROOF (IP65)
MAX. PRESSURE	ATM kgf/cm ²
MAX. TEMP.	80 °C
POWER SUPPLY	DC 24V
OUTPUT SIGNAL	DC 4 ~ 20 mA

CABLE ENTRY	PF 3/4"(F)
	<input type="checkbox"/>

NO.	DESCRIPTION	MATERIAL	REMARK
1	COVER	AL.C	
2	BASE	AL.C	
3	PROCESS CONN.	<input type="checkbox"/> 304 SS <input type="checkbox"/> 316L SS	
4	MEASURING CELL	316L SS	

PROCESS CONN. SIZE	50A JIS 10K RF
	<input type="checkbox"/>



TAG NO.	Q'TY	RANGE

NOTE
1. GENERAL TOLERANCE ±5mm EXCEPT AS NOTED.

	.	.				HITROL CO., LTD.	SCALE	UNIT	SHEET NO.	
	.	.					N.S	mm	/	
	.	.					TITLE	PROJECT		
	.	.					PRESSURE TYPE LEVEL TRANSMITTER	DRAWING NO.		
	MAR. 2017	1ST ISSUE	S W JUNG	J H CHOI	B S SUNG	HT-100PS	HT100PS-A-01			
NO.	DATE	REVISION	REV'D BY	CHK'D BY	APP'D BY					

This drawing is the property of HITROL and shall not be copied, communicated, or given for third-party except with our written permission.