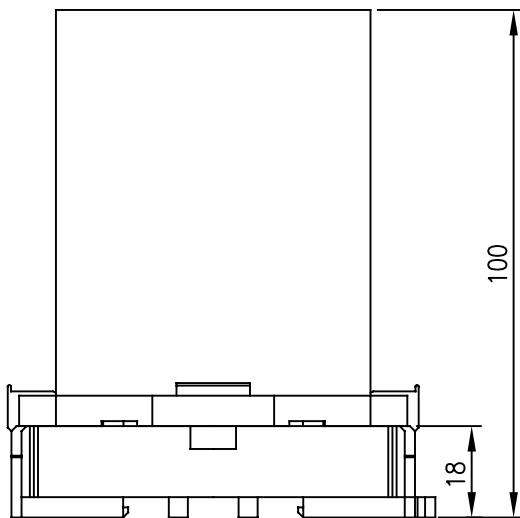
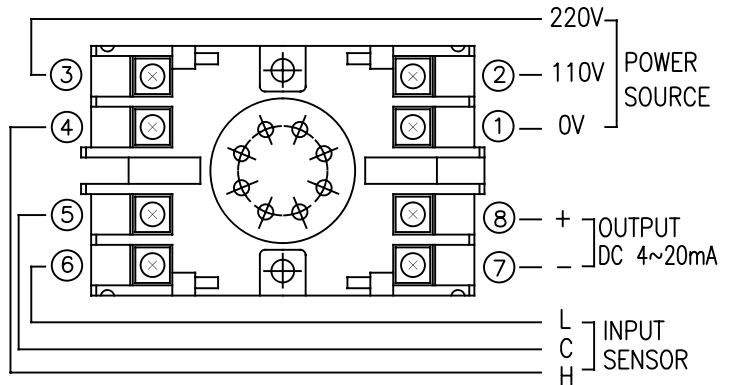
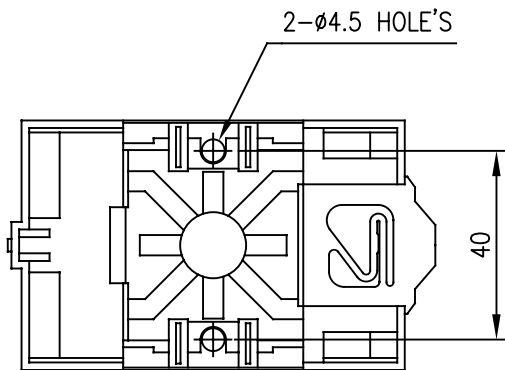
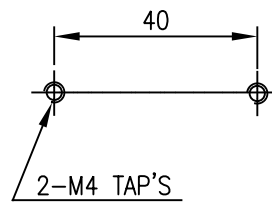


## CONTROL UNIT SOCKET



## PANEL MOUNTING SIZE



## SPECIFICATION

POWER SOURCE	AC 110V/220V, 60Hz
POWER CONSUMPTION	approx 2VA
OUTPUT POWER	DC 4 ~ 20mA
INPUT SIGNAL	0 ~ 1kΩ
AMBIENT TEMP.	-20 ~ +60°C
MOUNTING METHOD	PANEL REAR

△	.	.				<b>HITROL CO., LTD.</b>	SCALE	N/S	UNIT	mm	REV.	△
△	.	.					TITLE	PROJECT				
△	.	.					<b>CONTROL UNIT HLC-RI</b>	DRAWING NO.	HLC-RI-A-01		PAGE	1/1
△	JAN. 2017	ISSUE	B.S SUNG	Y.H KIM	Y.H KIM							
NO.	DATE	REVISION	DES'D BY	REV'D BY	APP'D BY							