

FOR	TARGET TYPE TANK LEVEL GAUGE	
MOUNTING	SIDE of TANK	
ENCLOSURE	WEATHER PROOF	
AMBIENT TEMP.	-20 ~ +80 °C	
MAX. PRESSURE	ATM	kgf/cm ²
MAX. TEMP	150	°C

ITEM TO BE PREPARED BY USER		
NO.	DESCRIPTION	REMARK
101	25A(1") PIPE	
102	25A(1") SOCKET	

ITEM TO BE SUPPLY BY HITROL				
NO.	DESCRIPTION	MATERIAL	Q'TY	REMARK
1	SCALE CASE	AL.C	1	
2	SCALE PLATE	304 SS	1	
3	FLOAT	304 SS	1	
4	SHEAVE ELBOW	AL.C	2	
5	WEIGHT	BS	1	
6	MEASURING WIRE	304 SS	1	φ1.2
7	GUIDE WIRE	304 SS	2	φ3
8	BRACKET	C.S	n	
9	PIPE SUPPORT	C.S	1	
10	U-BOLT & NUT	C.S	1 SET	
11	BOTTOM ANCHOR	C.S	1	
12	TOP ANCHOR	AL.C	2	

TAG. NO.	Q'TY	MEASURING RANGE(mm)	TANK HEIGHT(mm)

NOTE
1. GENERAL TOLERANCE ±5mm EXCEPT AS NOTED.

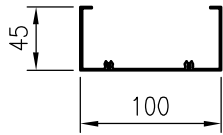
NO.	DATE	REVISION	REV'D BY	CHK'D BY	APP'D BY

HITROL HITROL CO., LTD.
TITLE
TARGET TYPE TANK LEVEL GAUGE
HFV-100W

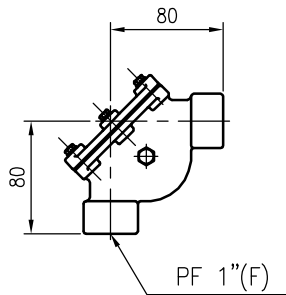
SCALE	UNIT	SHEET NO.
N.S	mm	
PROJECT		
DRAWING NO.		
HFV100W-GA-001		

This drawing is the property of HITROL and shall not be copied, communicated, or given for third-party except with our written permission. This drawing is version 1.1 at last modify DEC, 2015.

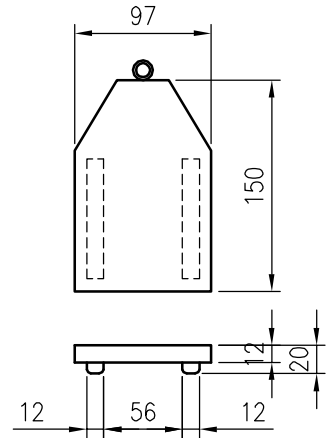
1 SCALE CASE



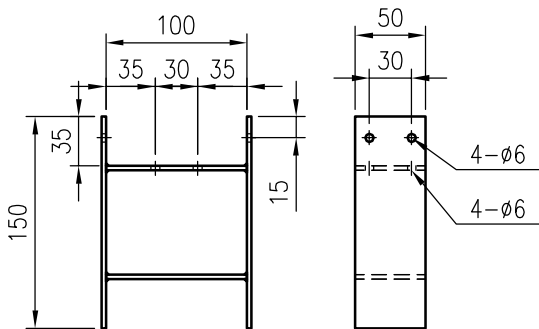
4 SHEAVE ELBOW 90°



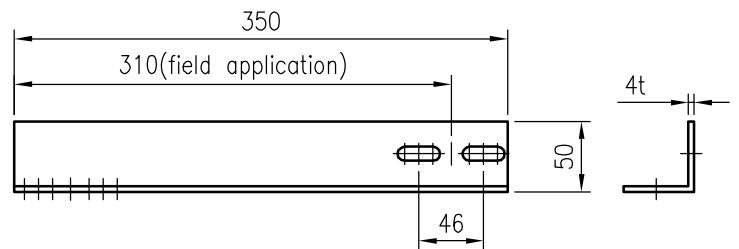
5 WEIGHT



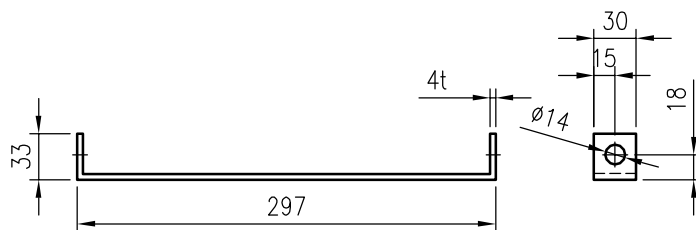
8 BRACKET(3t)



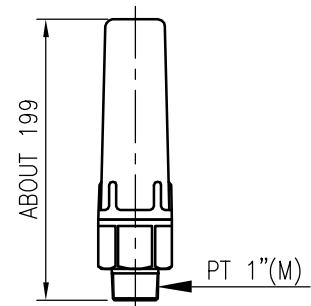
9 PIPE SUPPORT



11 BOTTOM ANCHOR

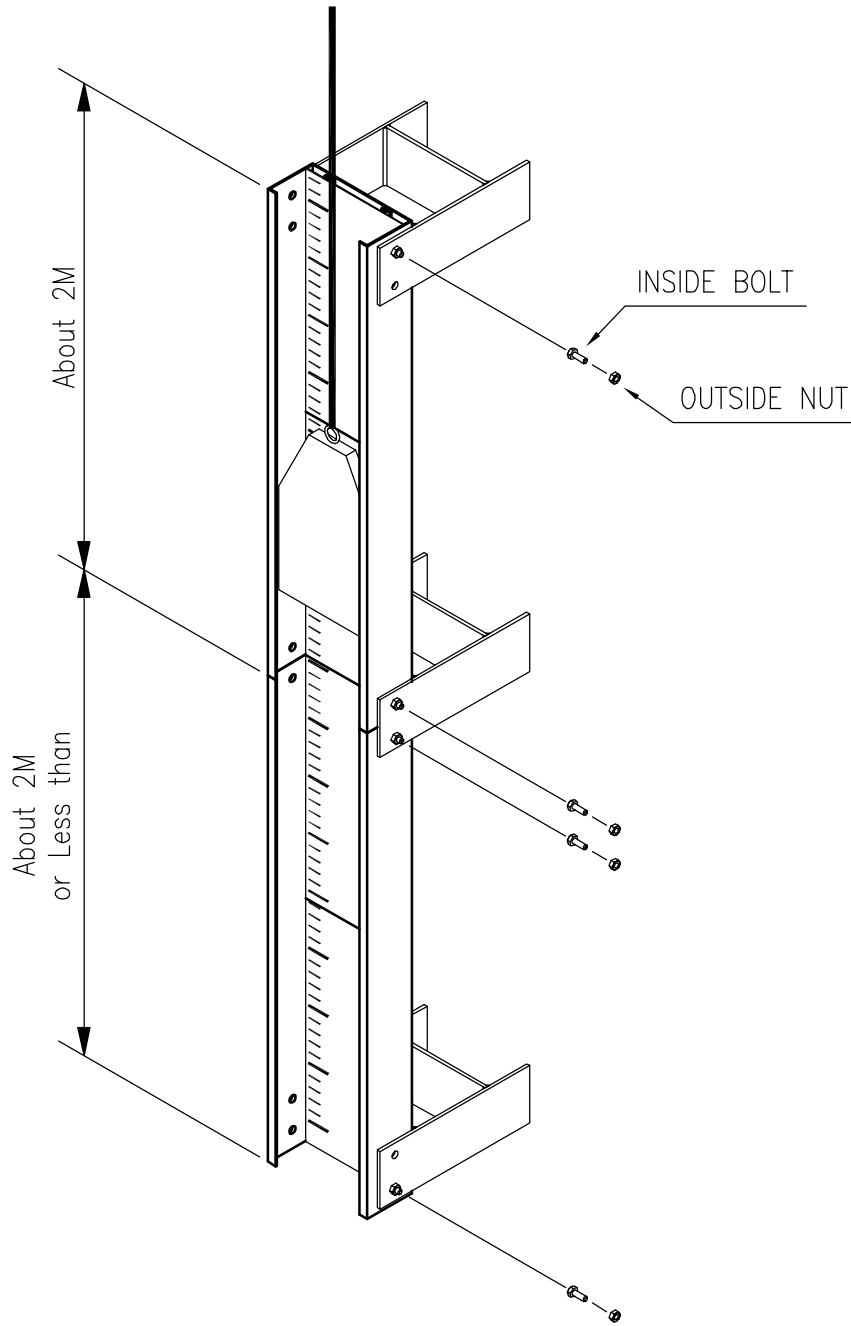



12 TOP ANCHOR (A.L.C)



HITROL CO., LTD.						SCALE	UNIT	SHEET NO.
						N.S	mm	/
						PROJECT		
						DRAWING NO.		
NO.	DATE	REVISION	REV'D BY	CHK'D BY	APP'D BY	HFW100W-GA-P01		
	2016.04.13	1ST ISSUE						

This drawing is the property of HITROL and shall not be copied, communicated, or given for third-party except with our written permission. This drawing is version 1.0 at last modify SEP, 2015.



△			 HITROL CO., LTD.	SCALE	UNIT	SHEET NO.
△				N.S	mm	—
△			TITLE	PROJECT		
△			TARGET TYPE TANK LEVEL GAUGE	DRAWING NO.		
△	2016.04.13	INFORMATION	HFW-100W INFORMATION	HFW100W-IF-P01		
NO.	DATE	REVISION				

A4(210mm x 297mm)

This drawing is the property of HITROL and shall not be copied, communicated, or given for third-party except with our written permission. This drawing is version 1.0 at last modify SEP, 2015.